

HITEC[®] TORONTO

Produced by HFTP

EXHIBITS AND SPONSORSHIP INFORMATION

Metro Toronto Convention Center, Toronto, Ont. Canada - June 26-29, 2023

Exhibit Display Rules and Regulations

Produced by [Hospitality Financial and Technology Professionals](#)

EXHIBIT DISPLAY RULES AND REGULATIONS

Standard Inline Booth

What is it?

Any booth consisting of one or more standard units in a straight line. (See Figure A.)

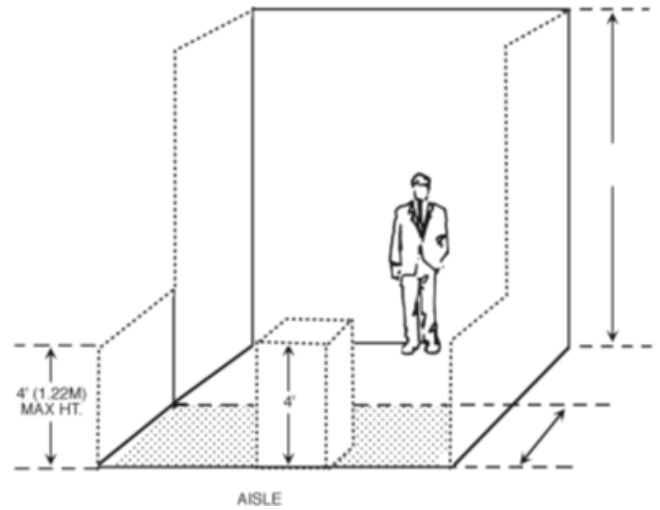
How many sides are open to the aisle?

Standard booths offer one (1) side open to the aisle, providing 10' (3.05 m) of aisle visibility (assuming 10'x10' configuration).

How high can I build my display?

Inline booth displays can be built up to 8' (2.5m) in height. **Displays in inline booths may not exceed 8' in height.**

All display materials placed in the front half of the booth can be up to 4' in height. Displays, monitors, pop-up signs, etc. cannot exceed 4' if placed in the front half of the booth. **Features above 4' are permitted if placed in the back half of the booth.**



Dotted lines indicate the height restrictions.

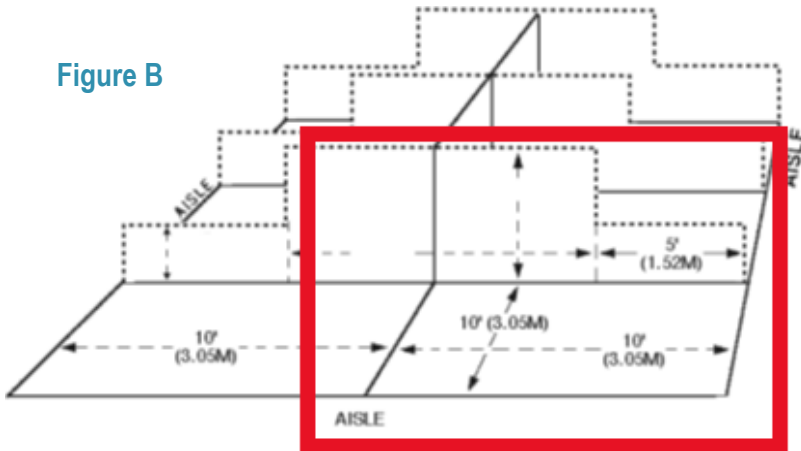
Can I have a hanging sign?

No, inline booths may not have hanging signs.

Other notes: If a booth display exceeds these height limits, only in extreme emergencies may a height variance be allowed. All variance requests must be made in writing 60 days from the first move-in day and approved by Show Management. This includes requests for lighting trusses.

If these actions are not taken, show management reserves the right to relocate the offending booth to the perimeter wall. Lighting trusses within standard inline booths must submit plans to and receive prior approval from Show Management.

Figure B



Corner Booth

What is it?

Any booth located on the corner of an aisle. (See highlighted area in Figure B).

How many sides are open to the aisle?

Corner booths offer two (2) sides open to the aisle, providing 20' of aisle visibility (assuming 10'x10' configuration).

How high can I build my display?

Corner booth displays cannot exceed 8' (2.5m) in height. This includes any flags, pop-up displays, awnings, etc.

Displays, monitors, pop-up signs, etc. cannot exceed 4' in height if placed in the front half of the booth. Features above 4' in height are permitted if placed in the back half of the booth.

Can I have a hanging sign?

No, corner booths may not have hanging signs.

Other notes: If a booth display exceeds these height limits, only in extreme emergencies may a height variance be allowed. All variance requests must be made in writing 60 days from the first move-in day and approved by Show Management. This includes requests for lighting trusses.

If these actions are not taken, show management reserves the right to relocate the offending booth to the perimeter wall.

EXHIBIT DISPLAY RULES AND REGULATIONS

Perimeter Booth

What is it?

A perimeter booth is an inline or corner booth which is placed along the perimeter (edge) of the exhibit hall. Perimeter booths do not have booths behind them. (See Figure C)

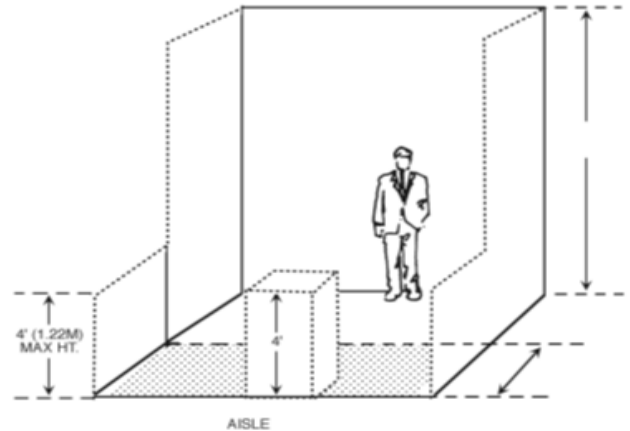
How many sides are open to the aisle?

Perimeter booths can be configured as inline or corner booths. See [Inline](#) and [Corner](#) booth descriptions for details.

How high can I build my display?

Perimeter booths can build back displays up to 12' (3.66m) in height.

Displays, monitors, pop-up signs, etc. cannot exceed 4' if placed in the front half of the booth. Features above 4' are permitted if placed in the back half of the booth.



Can I have a hanging sign?

No, perimeter booths are not allowed to have hanging signs.

Why can this booth have a higher back display than standard corner or inline booths?

Because the outer perimeter booths are not backed up against another Exhibitor's booth, display back walls and materials over 8' (2.5 m) will not interfere with or distract from any other exhibit booth.

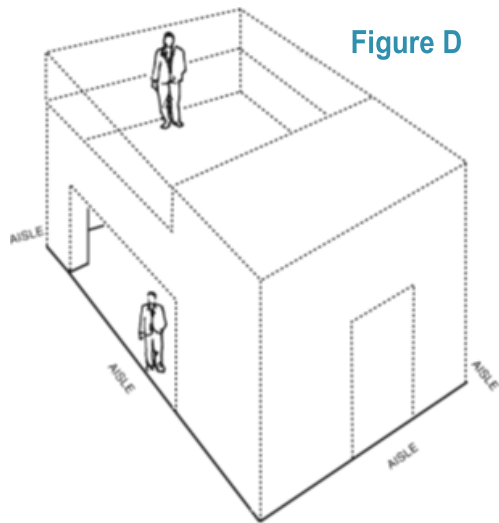


Figure D

Island Booth

What is an Island Booth?

Blocks of exhibit space sized 20'x20' or larger with aisles on all four sides. (See Figure D.)

How many sides are open to the aisle?

Island booths offer four (4) sides open to the aisle, providing full access to the booth from all sides.

How high can I build my display?

Exhibit fixtures, towers, components, and identification signs are permitted to a maximum height of 20' (6.1m).

Exhibit structures, pop-ups, fixtures, towers, components, and signage are permitted to a maximum height of 20' (6.1m). All structures, pop-ups, fixtures, towers, and components within the booth space and around the perimeter must be branded or finished on all sides.

All Standard Island Booths must maintain a clear, continuous, and accessible opening on at least one (1) side of the booth. The opening must be at least 15% of the side length. Show Management will accept variances using plexiglass or other transparent materials which maintain a clear line of sight in the booth for a portion of the opening, up to 15%.

Can this booth have a hanging sign?

Yes, island booths can have hanging signs. Hanging signs must be no fewer than 12' (3.66m) from the ground at the lowest point and must not exceed 20' (6.1m) at the highest point.

Why can this booth have a higher back display than standard corner or inline booths?

When an island booth exceeds 8' (2.5 m), it does not interfere with other Exhibitors because it does not back up against another Exhibitor's back wall. The extra height is often required in an island booth exhibit to permit the open walk-through approach normally used in this type of location.

QUESTIONS?



DEBRA CUKJATI-LINEBERRY

HFTP Sales and Accounts Manager

sales@hftp.org | +1 (512) 220-6443



DIANE KNIPPA

HFTP Exhibits Manager

exhibit@hftp.org | +1 (512) 220-6447

HFTP — The Producers of HITEC

Hospitality Financial and Technology Professionals

1703 Ranch Road 620 N, Suite 155-193

Austin, Texas USA 78726-4537

(800) 646-4387 | +1 (512) 249-5333

www.hftp.org