

GES is pleased to have been selected the official service contractor by the Show Organizer to design and produce your show. Our goal is to ensure your show participation is a success.

GES is involved in many areas relative to the show and if at any time during the planning process you are unsure where to turn, just ask us, we are at your service.

Please ensure that you review this section carefully as it contains information, **DISCOUNT PRICES** and order forms for each of the many services being provided by **GES**.

For your convenience, we will be offering the following services:

- ✓ Online Ordering
- ✓ Furnishings
- ✓ Carpet & Underpadding
- ✓ GEM Exhibits & Accessories
- ✓ Signs & Graphics
- ✓ Installation & Dismantling Labour
- ✓ Material Handling
- ✓ GES Logistics / Shipping
- ✓ GES Customs

To take advantage of our **DISCOUNT PRICING**, all order forms and full payment must be received on or before the Discount Date of **October 6, 2016** as indicated on each form. **GES** accepts Visa, Mastercard, American Express, Cheques and Cash as methods of payment for our services. All exhibitors are responsible for payment of G.S.T. when exhibiting in Alberta.

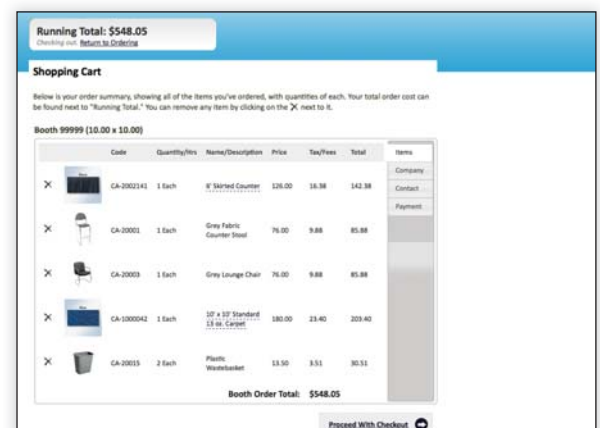
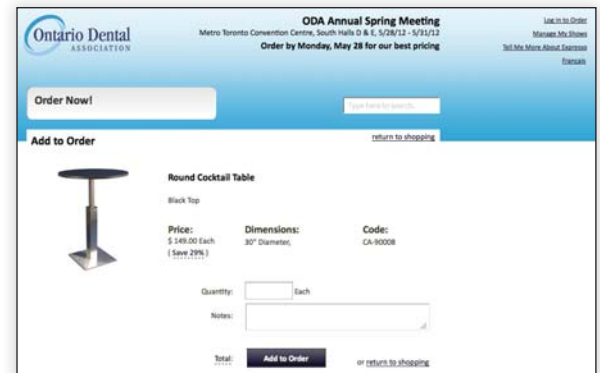
If you need assistance or additional information, please contact our **Exhibitor Services Department at (403) 243-2212.**



Accelerate your experience with Expresso exhibit planning, ordering and management.

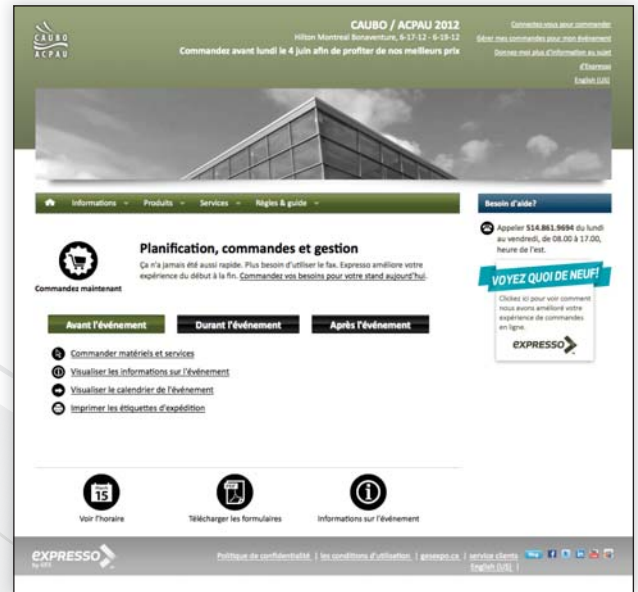
Exhibitors can order everything they need for their tradeshow exhibit through Expresso, our simple to navigate, picture-driven system that satisfies your need for speed. With just a few clicks exhibitors can order GES products and services including:

- Booth furniture.
- Carpet and flooring.
- Material handling.
- Booth labour.
- And much more.



Expresso is more than just an online exhibitor manual. Exhibitors can:

- Order exhibit products and services.
- Print shipping labels.
- View important show and event information.
- Download the show schedule into Outlook or iCalendar.
- View account order status and history.



Experience a difference with Expresso.

- Each show has their own custom website.
- Runs on all browsers for PCs, Macs and tablets.
- Everything in one place; all organizer and show information, ordering and even third party forms.
- Keeps you on-time and on-budget.



TO:	GES
FAX:	(403) 243-3868
DATE:	_____
FROM:	_____
SHOW NAME:	Calgary Chamber of Commerce Small Business Week & Awards
COMPANY:	_____
BOOTH #:	_____

✓ To help us ensure we have received your entire order, please check off those forms you are sending us:

- Third Party Billing
- Credit Card Authorization
- Furnishings
- Carpet & Underpadding
- Exhibit Accessories
- Signs
- Installation & Dismantle Labour Services
- Material Handling
- GES Logistics / Shipping

Please call to confirm receipt of your order.

***To receive Discount Pricing send your order in
by the Discount Price Deadline Date - October 6, 2016***

Thank you from GES





CREDIT CARD AUTHORIZATION

#3030 - 2600 Portland St. SE Calgary, Alberta, T2G 4M6 Tel: (403) 243-2212 Fax: (403) 243-3868 Toll Free 1-800-636-8235 www.gesexpo.ca

SHOW: **Calgary Chamber of Commerce Small Business Week & Awards**

EXHIBITOR INFORMATION

BOOTH #: _____
COMPANY _____
STREET _____
CITY _____ PROV/STATE _____ CODE _____
E-MAIL _____
PHONE _____ FAX _____
CONTACT NAME _____

IMPORTANT - READ CAREFULLY

Please fill out The Credit Card Authorization below if:
- You or your company are forwarding payment to GES in the form of a cheque.
- There is any possibility you or your representative will be ordering any service on-site.
- You are ordering Material Handling, Installation and Dismantle Labour or In-Booth Forklift Services.

PLEASE COMPLETE THE FOLLOWING

MASTERCARD VISA AMERICAN EXPRESS
 CORPORATE PERSONAL

EXPIRY DATE:

CARD #

CARDHOLDER'S NAME (PRINT): _____

CARDHOLDER'S SIGNATURE: _____

Cardholder's Billing Address: _____

City: _____ Prov/State: _____ Code/Zip: _____

Tel: _____ Fax: _____

This authorization allows GES to charge any fees outstanding after show closing to this credit card (including funds owed due to a cheque returned NSF)

CHEQUES WILL NOT BE ACCEPTED WITHOUT THIS CREDIT CARD AUTHORIZATION

IF THIS AUTHORIZATION IS NOT COMPLETED, ALL ON-SITE ORDERS ARE EXPECTED TO BE PAID IN FULL BEFORE DELIVERY

DISCOUNT PRICING:

To qualify for **Discount Pricing**, orders must be received **with payment in full on or before the deadline date.** Late orders will be charged the **Regular Prices.** Orders without payment cannot be processed until payment is received and could be charged the **Regular Price.**

METHOD OF PAYMENT:

GES accepts American Express, MasterCard, Visa, Debit Card, Cheque and Bank Wire Transfers. Purchase Orders are not considered payment. **Exhibitors will be charged a \$25.00 fee for returned NSF cheques.**

BANK WIRE TRANSFER INFORMATION:

To properly credit your account, please complete the **BANK WIRE TRANSFER FORM** included with the GES order forms and send the following information to the GES Exposition Services (Canada) Limited address listed on the Bank Wire Transfer Form.

NOTE: There is a minimum \$20.00 Service Charge (North America) \$40.00 (International) applicable on all wire transfers. Fees vary depending on banks processing wire transfers.

PAYMENT SCHEDULE:

Payment for all services must be pre-paid in full. GES will not provide Material Handling, In-Booth Forklifts, or Installation and Dismantle Labour Services without your company's **CREDIT CARD AUTHORIZATION FORM** on file.

THIRD PARTY BILLING:

You may arrange for an exhibit house or other agent to manage your exhibit & order services on your behalf. GES will agree to this arrangement if the exhibit house or agent makes satisfactory payment arrangements with us. In the event the authorized Third Party does not pay, each exhibiting company is ultimately responsible for all charges incurred on its behalf. See **THIRD PARTY BILLING REQUEST FORM.**

ADJUSTMENTS AND CANCELLATIONS:

Adjustments to your invoice **will not be made after the close of the show.** Some items, services and labour are subject to cancellation fees. Refer to each order form for details.

ALL EXHIBITORS MUST PAY 5% GST ON ALL ORDERS.

CARPET ORDER FORM

#3030 - 2600 Portland St. SE Calgary, Alberta, T2G 4M6 Tel: (403) 243-2212 Fax: (403) 243-3868 Toll Free 1-800-636-8235 www.gesexpo.ca

SHOW: **Calgary Chamber of Commerce Small Business Week & Awards**

EXHIBITOR INFORMATION

BOOTH #: _____

COMPANY _____

STREET _____

CITY _____ PROV/STATE _____ CODE _____

E-MAIL _____

PHONE _____ FAX _____

CONTACT NAME _____

DISCOUNT PRICE DEADLINE DATE: **October 6, 2016**

CREDIT CARD AUTHORIZATION

MASTERCARD
 VISA
 AMEX

--	--	--	--	--	--	--	--

EXPIRY DATE _____ / _____

CARDHOLDER NAME _____

CARDHOLDER SIGNATURE _____

CHEQUE ATTACHED (PAYABLE TO GES)

**ALL ORDERS MUST BE PREPAID IN FULL
(ORDERS CAN NOT BE PROCESSED UNTIL PAYMENT IS RECEIVED)**

BOOTH CARPET - STANDARD SIZE
Note: Exhibitors ordering multiple pieces of carpet in this section may not receive the same dyelot.

QTY.	DESCRIPTION	DISCOUNT PRICE	REGULAR PRICE	TOTAL
	10 Ft. X 10 Ft. Single Booth	\$153.00	\$214.00	
	10 Ft. X 20 Ft. Double Booth	\$308.00	\$431.00	

COLOUR SELECTION:
 BLACK
 BLUE
 GREY
 RED

BOOTH CARPET - CUSTOM SIZE
If your booth requires a size not listed above, please complete this section.

BOOTH SIZE: _____ Ft. x _____ Ft. = _____ Sq. Ft.
 \$1.53/Sq. Ft.
 \$2.14/Sq. Ft.

COLOUR SELECTION:
 BLACK
 BLUE
 GREY
 RED

UNDERPADDING PRICE PER SQUARE FOOT INSTALLED (100 SQ. FT. MIN.)

BOOTH SIZE: _____ Ft. x _____ Ft. = _____ Sq. Ft.
 \$1.03/Sq. Ft.
 \$1.44/Sq. Ft.

PROTECTIVE PLASTIC COVERING PRICE PER SQUARE FOOT INSTALLED (STANDARD SIZES ONLY)

BOOTH SIZE: _____ Ft. x _____ Ft. = _____ Sq. Ft.
 \$0.23/Sq. Ft.
 \$0.32/Sq. Ft.

PLEASE SELECT ONE FOR CUSTOM CARPET SIZES ONLY

IF ORDERING ELECTRICAL OR TELECOMMUNICATIONS SERVICES, WILL UNDER CARPET WIRING BE REQUIRED?

YES NO

Terms & Conditions

- All orders received after the Discount Price Date will be processed at the Regular Price.
- Exhibitor is responsible for all items for the duration of the show.
- No refunds/exchanges on carpets once delivered.
- Charges are for rental of equipment only. All items remain the property of GES.
- All claims or discrepancies must be settled at the GES Service Centre prior to show closing.
- If a colour is not chosen, GES will choose a colour for you. *Carpet colour subject to availability.*

SUBTOTAL	
5% GST	
TOTAL	
GST #R104060264	

I have read and understand the Terms & Conditions of my Agreement with GES.

Signature



Date

#3030 - 2600 Portland St. SE Calgary, Alberta, T2G 4M6 Tel: (403) 243-2212 Fax: (403) 243-3868 Toll Free 1-800-636-8235 www.gesexpo.ca

SHOW: Calgary Chamber of Commerce Small Business Week & Awards	DISCOUNT PRICE DEADLINE DATE: October 6, 2016				
EXHIBITOR INFORMATION	CREDIT CARD AUTHORIZATION				
BOOTH #: _____	<input type="checkbox"/> MASTERCARD <input type="checkbox"/> VISA <input type="checkbox"/> AMEX				
COMPANY _____	<table border="1" style="width: 100%; height: 20px; border-collapse: collapse;"> <tr> <td style="width: 25%;"></td> <td style="width: 25%;"></td> <td style="width: 25%;"></td> <td style="width: 25%;"></td> </tr> </table>				
STREET _____	EXPIRY DATE _____ / _____				
CITY _____ PROV/STATE _____ CODE _____	CARDHOLDER NAME _____				
E-MAIL _____	CARDHOLDER SIGNATURE _____				
PHONE _____ FAX _____	<input type="checkbox"/> CHEQUE ATTACHED (PAYABLE TO GES)				
CONTACT NAME _____					

ALL ORDERS MUST BE PREPAID IN FULL (ORDERS CAN NOT BE PROCESSED UNTIL PAYMENT IS RECEIVED)

INITIAL CLEANING SERVICES	DAILY CLEANING SERVICES	ADDITIONAL CLEANING SERVICES
Performed evening prior to show opening <ul style="list-style-type: none"> Carpets vacuumed 	Performed prior to show opening and every night at show close for duration of show <ul style="list-style-type: none"> Carpets vacuumed Wastebaskets emptied 	Performed upon request <ul style="list-style-type: none"> For carpet in need of special attention due to food sampling demonstrations, hair, wood, metal shavings, grease or paint.

RATES		RATES			RATES	
DISCOUNT PRICE	REGULAR PRICE	BOOTH SQUARE FOOT	DISCOUNT PRICE	REGULAR PRICE	DISCOUNT PRICE	REGULAR PRICE
\$0.38 / sq.ft.	\$0.53 / sq.ft.	50 - 600 sq.ft.	\$0.55/sq.ft.	\$0.77/sq.ft.	To Be Quoted	N/A
		601-1000 sq.ft.	\$0.45/sq.ft.	\$0.63/sq.ft.		
		OVER 1000sq.ft.	\$0.38/sq.ft.	\$0.53/sq.ft.		

SELECT SERVICE REQUIRED:

Initial Cleaning _____ @ _____ = _____
 Daily Cleaning Total sq.ft.of Booth \$ Per sq.ft. Total
 Additional Services

Terms & Conditions

- All orders received after the Discount Price Date will be processed at the Regular Price.
- No cancellations after move-in begins.
- All claims or discrepancies must be settled at the GES Service Centre prior to show closing.
- All orders are governed by GES Limits of Liability and Responsibility

SUBTOTAL	
5% GST	
TOTAL	
	GST #R104060264

I have read and understand the Terms & Conditions of my Agreement with GES.

Signature

Date



furnishings

Grey Fabric Side Chair



Grey Fabric Counter Stool



Grey Fabric Arm Chair



Steno Chair



30" Round / 30" High Pedestal Table



30" Round / 18" High Coffee Table



4', 6', OR 8' Long Raised Draped Table with White Vinyl Top



4', 6', OR 8' Long Draped Table with White Vinyl Top





furnishings

Coat Tree



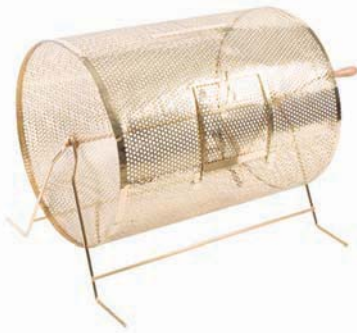
22" W X 28" H
Chrome Sign Holder
(sign extra)



Easel



Gold Ballot Drum



Plexi Pocket



40" W x 20" D x 36" H
White Counter Storage Unit



Bag Holder 41" H



Stanchions
6" Belt



Plastic
Wastebasket



FURNISHINGS ORDER FORM

#3030 - 2600 Portland St. SE Calgary, Alberta, T2G 4M6 Tel: (403) 243-2212 Fax: (403) 243-3868 Toll Free 1-800-636-8235 www.gesexpo.ca

SHOW: Calgary Chamber of Commerce Small Business Week & Awards

EXHIBITOR INFORMATION

BOOTH #: _____

COMPANY _____

STREET _____

CITY _____ PROV/STATE _____ CODE _____

E-MAIL _____

PHONE _____ FAX _____

CONTACT NAME _____

DISCOUNT PRICE DEADLINE DATE: **October 6, 2016**

CREDIT CARD AUTHORIZATION

MASTERCARD VISA AMEX

--	--	--	--	--	--	--	--

EXPIRY DATE _____ / _____

CARDHOLDER NAME _____

CARDHOLDER SIGNATURE _____

CHEQUE ATTACHED (PAYABLE TO GES)

**ALL ORDERS MUST BE PREPAID IN FULL
(ORDERS CANNOT BE PROCESSED UNTIL PAYMENT IS RECEIVED)**

FURNISHINGS				
QTY	DESCRIPTION	DISCOUNT PRICE	REGULAR PRICE	TOTAL
	Grey Fabric Side Chair	\$37.00	\$52.00	
	Grey Fabric Counter Stool	\$81.00	\$113.00	
	Grey Fabric Arm Chair	\$38.00	\$53.00	
	Literature Rack	\$80.00	\$112.00	
	Cocktail Table 40" High	\$85.00	\$119.00	
	30" Round 30" High Pedestal Table	\$71.00	\$99.00	
	30" Round 18" High Coffee Table	\$54.00	\$76.00	
	Coat Tree	\$33.00	\$46.00	
	22" x 28" Chrome Sign Holder (Sign Extra)	\$46.00	\$64.00	
	Easel	\$39.00	\$55.00	
	Ballot Drum	\$71.00	\$99.00	
	Garment Rack on Wheels	\$44.00	\$62.00	
	White Counter Storage Unit 40" H	\$133.00	\$186.00	
	Bag Holder 41"H	\$65.00	\$91.00	
	Tape Stanchion	\$41.00	\$57.00	
	Wastebasket	\$22.00	\$31.00	

DRAPED DISPLAY TABLES 30" HIGH				
<input type="checkbox"/> BLACK <input type="checkbox"/> BLUE <input type="checkbox"/> BURGUNDY <input type="checkbox"/> GREEN <input type="checkbox"/> RED <input type="checkbox"/> SILVER <input type="checkbox"/> WHITE				
QTY	DESCRIPTION	DISCOUNT PRICE	REGULAR PRICE	TOTAL
	4 Ft. Long x 2 Ft. Wide	\$81.00	\$113.00	
	6 Ft. Long x 2 Ft. Wide	\$90.00	\$126.00	
	8 Ft. Long x 2 Ft. Wide	\$97.00	\$136.00	
	Drape Fourth Side	Add \$35.00 ea.		

RAISED DRAPED DISPLAY TABLES 42" HIGH				
<input type="checkbox"/> BLACK <input type="checkbox"/> BLUE <input type="checkbox"/> SILVER <input type="checkbox"/> WHITE				
QTY	DESCRIPTION	DISCOUNT PRICE	REGULAR PRICE	TOTAL
	4 Ft. Long x 2 Ft. Wide	\$93.00	\$130.00	
	6 Ft. Long x 2 Ft. Wide	\$114.00	\$160.00	
	8 Ft. Long x 2 Ft. Wide	\$140.00	\$196.00	
	Drape Fourth Side	Add \$35.00 ea.		

CUSTOM BOOTH DRAPING				
<input type="checkbox"/> BLACK <input type="checkbox"/> BLUE <input type="checkbox"/> RED <input type="checkbox"/> SILVER <input type="checkbox"/> WHITE				
QTY	DESCRIPTION	DISCOUNT PRICE	REGULAR PRICE	TOTAL
	3 Ft. High (Per Linear Ft.)	\$6.90	\$9.65	
	8 Ft. High (Per Linear Ft.)	\$7.40	\$10.35	

Terms & Conditions

- All orders received after the Discount Price Date will be processed at the Regular Price.
- Exhibitor is responsible for all items for the duration of the show.
- If a colour is not chosen, GES will choose a colour for you.
- Charges are for rental of equipment only. All items remain the property of GES.
- GES is not responsible for exhibit materials left in GEM rental exhibits or counter storage units.
- All claims or discrepancies must be settled at the GES Service Centre prior to show closing.
- No refunds/exchanges on cancelled draped tables or custom booth draping once delivered. 50% refund on furnishings cancelled prior to show opening.

SUBTOTAL	
5% GST	
TOTAL	
GST #R104060264	

I have read and understand the Terms & Conditions of my Agreement with GES.

Signature

Date

Specialty Furniture

Genuine Italian Leather Sofa & Love Seat



Bloor Fabric Sofa



Genuine Italian Leather Arm Chair



Sandor Coffee Table



Genuine Italian Leather Arm Chair



Genuine Italian Leather Sofa & Love Seat



Metropolis Coffee Table



Sandor Side Table

Max Side Table



Specialty Furniture



Tate Accent Chair



Diana Dining Chair



Cane Adjustable Barstool



Zoey Side Table



Madison Wood Desk



Diego White Desk



Draco Dining Chair



SPECIALTY FURNISHINGS ORDER FORM

#3030 - 2600 Portland St. SE Calgary, Alberta, T2G 4M6 Tel: (403) 243-2212 Fax: (403) 243-3868 Toll Free 1-800-636-8235 www.gesexpo.ca

SHOW: Calgary Chamber of Commerce Small Business Week & Awards

EXHIBITOR INFORMATION

BOOTH #: _____

COMPANY _____

STREET _____

CITY _____ PROV/STATE _____ CODE _____

E-MAIL _____

PHONE _____ FAX _____

CONTACT NAME _____

DISCOUNT PRICE DEADLINE DATE: October 6, 2016

CREDIT CARD AUTHORIZATION

MASTERCARD
 VISA
 AMEX

EXPIRY DATE ____ / ____

CARDHOLDER NAME

CARDHOLDER SIGNATURE

CHEQUE ATTACHED (PAYABLE TO GES)

ALL ORDERS MUST BE PREPAID IN FULL (ORDERS CAN NOT BE PROCESSED UNTIL PAYMENT IS RECEIVED)

QTY	DESCRIPTION	DISCOUNT PRICE	REGULAR PRICE	TOTAL	QTY	DESCRIPTION	DISCOUNT PRICE	REGULAR PRICE	TOTAL
	White Italian Leather Sofa	\$310.00	\$434.00			Zoey Side Table	\$70.00	\$98.00	
	White Italian Leather Love Seat	\$225.00	\$315.00			Madison Wood Desk	\$175.00	\$245.00	
	White Italian Leather Armchair	\$175.00	\$245.00			Diego White Desk	\$175.00	\$245.00	
	Bloor Fabric Sofa	\$310.00	\$434.00			Draco Dining Chair	\$50.00	\$70.00	
	Black Italian Leather Sofa	\$310.00	\$434.00						
	Black Italian Leather Love Seat	\$225.00	\$315.00						
	Black Italian Leather Armchair	\$175.00	\$245.00						
	Sandor Coffee Table	\$100.00	\$140.00						
	Metropolis Coffee Table	\$100.00	\$140.00						
	Max Side Table	\$70.00	\$98.00						
	Sandor Side Table	\$70.00	\$98.00						
	Tate Accent Chair - Black	\$100.00	\$140.00						
	Diana Dining Chair	\$50.00	\$70.00						
	Cane Adjustable Barstool	\$100.00	\$140.00						

Terms & Conditions

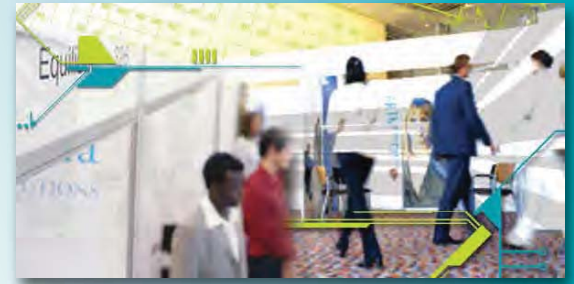
- Colours, sizes and styles may vary.
- All orders received after the Discount Price Date will be processed at the Regular Price.
- Exhibitor is responsible for all items for the duration of the show.
- There will be no refunds/exchanges for cancellations on-site.
- Charges are for rental of equipment only. All items remain the property of GES.
- All claims or discrepancies must be settled at the GES Service Centre prior to show closing.

SUBTOTAL	
5% GST	
TOTAL	
	GST #R104060264

I have read and understand the Terms & Conditions of my Agreement with GES.

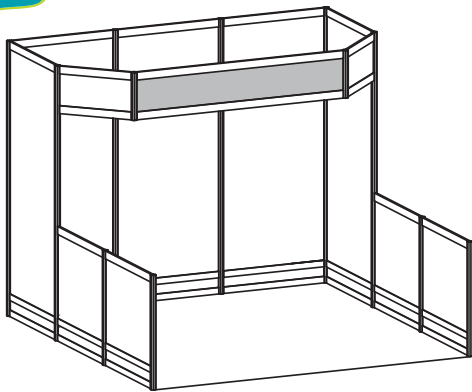
Signature

Date



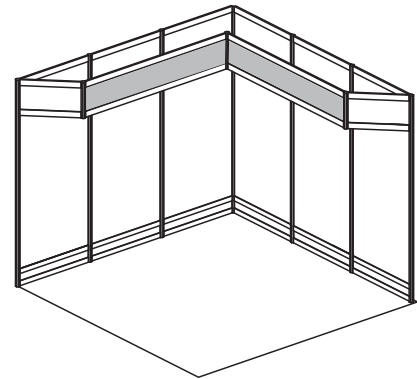
hardwall show specials

10' x 10'
EXHIBITS



● GEM 10'x10' Inline Exhibit Booth

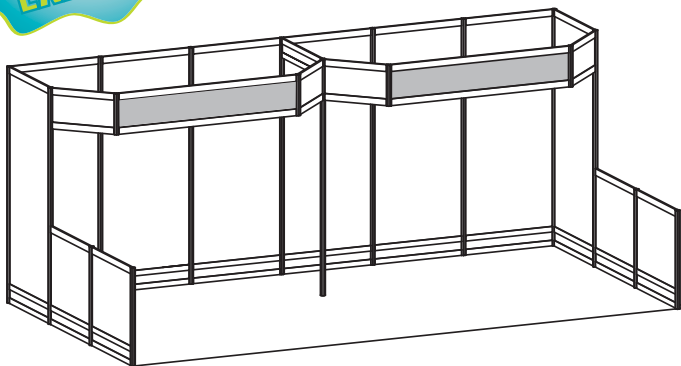
Option #1



● GEM 10'x10' Corner Exhibit Booth

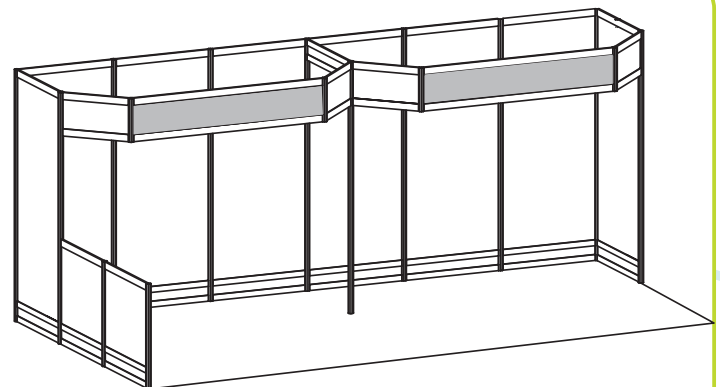
Option #2

10' x 20'
EXHIBITS



● GEM 10'x20' Inline Exhibit Booth

Option #3



● GEM 10'x20' Corner Exhibit Booth

Option #4

3 Easy Steps

- 1 Select the model number that suits your needs
- 2 Choose carpet colours on the GEM Show Special order form
- 3 Complete & send order form

Grey indicates custom header sign(s)



graphics show specials

10' x 10'
EXHIBITS



● GEM 10'x10' Inline Exhibit Booth with graphics backwall

Package A



● GEM 10'x10' Inline Exhibit Booth with full graphics

Package B

10' x 20'
EXHIBITS



● GEM 10'x20' Inline Exhibit Booth with graphics backwall

Package C



● GEM 10'x20' Inline Exhibit Booth with full graphics

Package D

3 Easy Steps →

- 1 Select the option that suits your needs
- 2 Choose carpet color on the GEM Show Special order form
- 3 Complete & send order form

#3030 - 2600 Portland St. SE Calgary, Alberta, T2G 4M6 Tel: (403) 243-2212 Fax: (403) 243-3868 Toll Free 1-800-636-8235 www.gesexpo.ca

SHOW: Calgary Chamber of Commerce Small Business Week & Awards	DISCOUNT PRICE DEADLINE DATE: October 6, 2016				
EXHIBITOR INFORMATION	CREDIT CARD AUTHORIZATION				
BOOTH #: _____	<input type="checkbox"/> MASTERCARD <input type="checkbox"/> VISA <input type="checkbox"/> AMEX				
COMPANY _____	<table border="1" style="width:100%; height: 20px; border-collapse: collapse;"> <tr> <td style="width: 25%;"></td> <td style="width: 25%;"></td> <td style="width: 25%;"></td> <td style="width: 25%;"></td> </tr> </table>				
STREET _____	EXPIRY DATE _____ / _____				
CITY _____ PROV/STATE _____ CODE _____	CARDHOLDER NAME _____				
E-MAIL _____	CARDHOLDER SIGNATURE _____				
PHONE _____ FAX _____	<input type="checkbox"/> CHEQUE ATTACHED (PAY ABLE TO GES)				
CONTACT NAME _____					

Show Special

➔ Spend less
➔ Sell More
➔ Look great

		Regular Price	Discount Price
<ul style="list-style-type: none"> ✓ Installed and Dismantled ✓ Ready before you arrive ✓ No Labour Costs ✓ No Trucking Costs ✓ No Material Handling Costs ✓ Includes Carpet Choice of Colours ✓ Includes Custom Header Sign(s) ✓ Accessories Available 	<p>Option 1: 10'x10' Inline Booth</p> <p>Option 2: 10'x10' Corner Booth</p> <p>Option 3: 10'x20' Inline Booth</p> <p>Option 4: 10'x20' Corner Booth</p>	<p>\$1335.00</p> <p>\$995.00</p> <p>\$2080.00</p> <p>\$1660.00</p>	<p>\$955.00</p> <p>\$715.00</p> <p>\$1485.00</p> <p>\$1185.00</p>

Indicate Date and Time you plan to arrive to merchandise your exhibit _____ Date _____ Time _____

PLEASE COMPLETE THE FOLLOWING:

SIZE ORDERED PACKAGE 1: 10'x10' Inline PACKAGE 2: 10'x10' Corner PACKAGE 3: 10'x20' Inline PACKAGE 4: 10'x20' Corner

Infill Panel Colour: **White Only** Carpet Colour: Black Blue Red Grey

(All panel & carpet colours subject to availability.)

10' x 10' Identification Sign to Read: _____

10' x 20' Identification Sign to Read: Left _____ Right _____

Graphic Packages:

PACKAGE A: 10x10 Backwall \$258.00 PACKAGE C: 10x20 Backwall \$516.00

PACKAGE B: 10x10 Inline Full Booth \$677.25 PACKAGE D: 10x20 Inline Full Booth \$903.00

(Graphic Packages based on print ready files.)

Please upload artwork to: <http://www.gesexpo.ca/upload/calgary> (file must be eps, ai, pdf or psd; fonts must be supplied or converted to outlines)

ALL ORDERS MUST BE PREPAID IN FULL
(ORDERS CAN NOT BE PROCESSED UNTIL PAYMENT IS RECEIVED)

Terms & Conditions

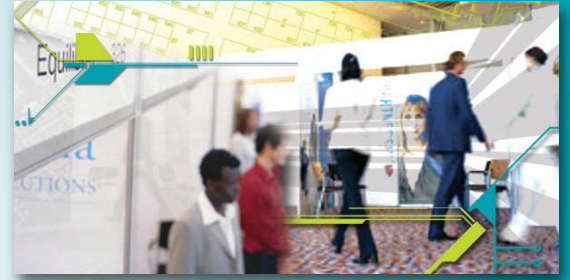
- Does not include lighting or electrical service.
- No refunds/exchanges once show move-in begins.
- All claims or discrepancies must be settled prior to show closing.
- All orders received after the Discount Price Date will be processed at the Regular Price.
- GES is not responsible for exhibit materials left in GEM rental exhibits or counter storage units.

SUBTOTAL	
5% GST	
TOTAL	
	GST #R104060264

I have read and understand the Terms & Conditions of my Agreement with GES.

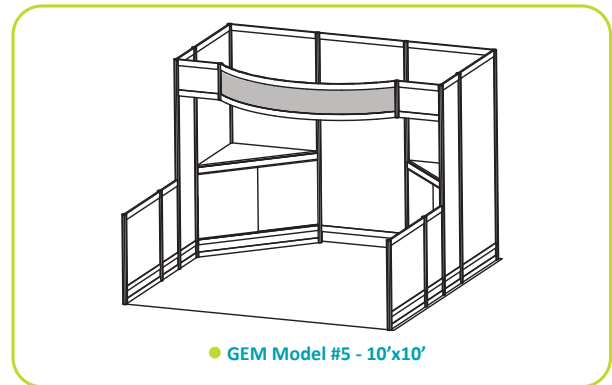
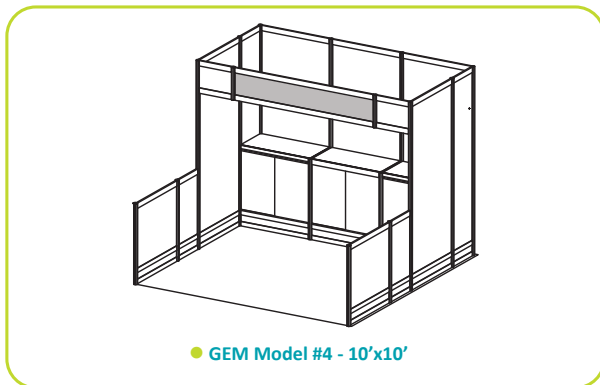
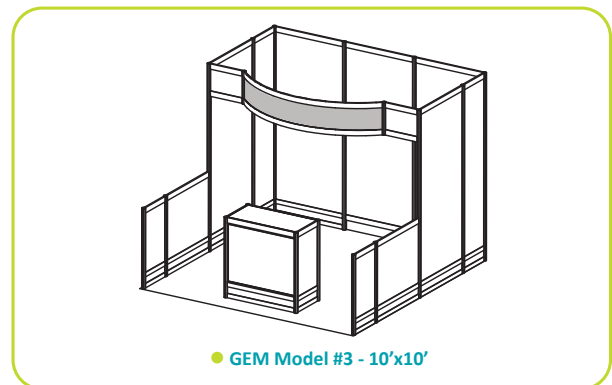
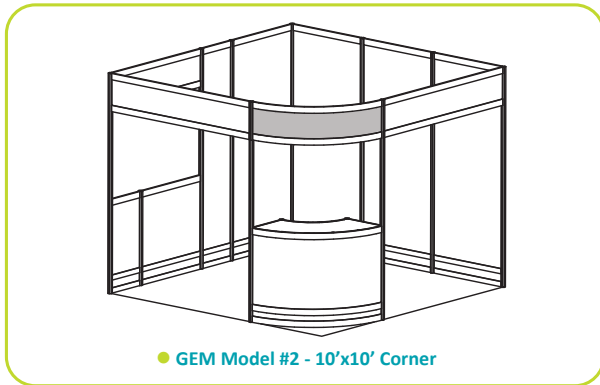
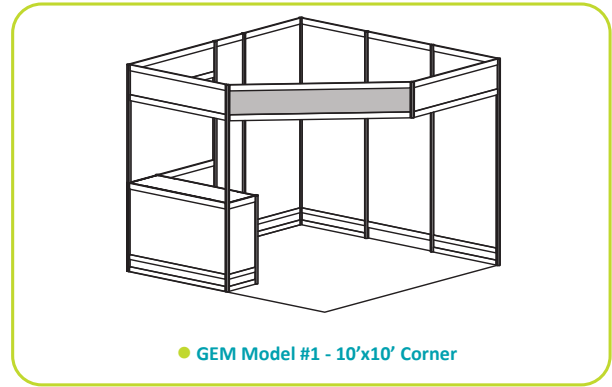
_____ Signature

_____ Date



standard exhibit rentals

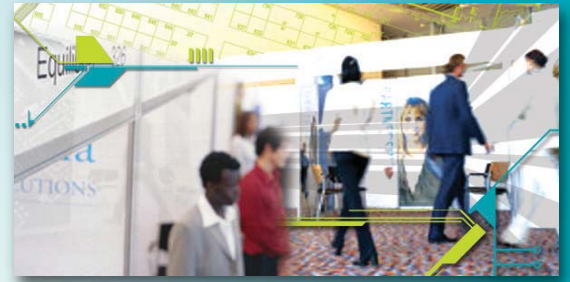
10' X 10' EXHIBITS



3 Easy Steps →

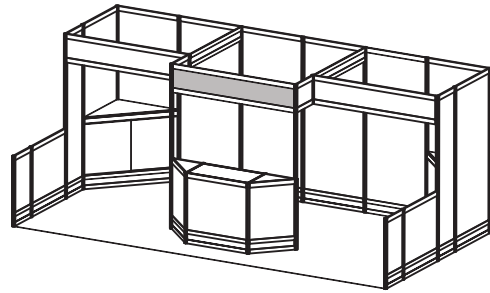
- 1 Select the model number that suits your needs
- 2 Choose carpet and panel colours on the GEM Exhibit Rental order form
- 3 Complete & send order form

Grey indicates standard header sign(s)

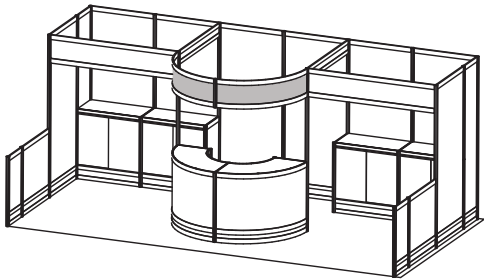


standard exhibit rentals

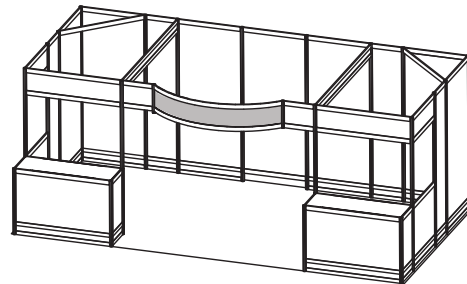
10' X 20'
EXHIBITS



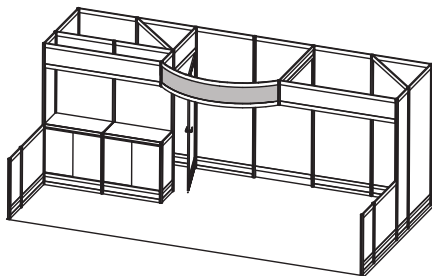
● GEM Model #6 - 10'x20'



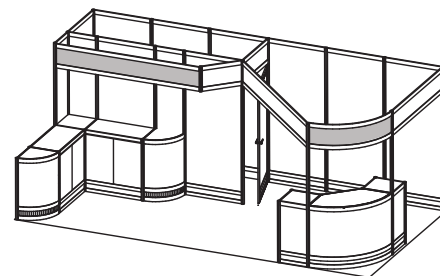
● GEM Model #7 - 10'x20'



● GEM Model #8 - 10'x20'



● GEM Model #9 - 10'x20'



● GEM Model #10 - 10'x20' Corner

3 Easy Steps →

- 1 Select the model number that suits your needs
- 2 Choose carpet and panel colours on the GEM Exhibit Rental order form
- 3 Complete & send order form

Grey indicates standard header sign(s)

#3030 - 2600 Portland St. SE Calgary, Alberta, T2G 4M6 Tel: (403) 243-2212 Fax: (403) 243-3868 Toll Free 1-800-636-8235 www.gesexpo.ca

SHOW: **Calgary Chamber of Commerce Small Business Week & Awards**

EXHIBITOR INFORMATION

BOOTH #: _____

COMPANY _____

STREET _____

CITY _____ PROV/STATE _____ CODE _____

E-MAIL _____

PHONE _____ FAX _____

CONTACT NAME _____

DISCOUNT PRICE DEADLINE DATE: **October 6, 2016**

CREDIT CARD AUTHORIZATION

MASTERCARD VISA AMEX

_____|_____|_____|_____|_____|_____|_____|_____|_____|_____|

EXPIRY DATE ____/____/____

CARDHOLDER NAME _____

CARDHOLDER SIGNATURE _____

CHEQUE ATTACHED (PAYABLE TO GES)

**ALL ORDERS MUST BE PREPAID IN FULL
(ORDERS CANNOT BE PROCESSED UNTIL PAYMENT IS RECEIVED)**

Model Number	Discount Price	Regular Price	Model Number	Discount Price	Regular Price
Model #1	\$1,125.00	\$1,575.00	Model #6	\$2,235.00	\$3,130.00
Model #2	\$1,210.00	\$1,695.00	Model #7	\$2,860.00	\$4,000.00
Model #3	\$1,295.00	\$1,810.00	Model #8	\$2,340.00	\$3,275.00
Model #4	\$1,540.00	\$2,155.00	Model #9	\$2,645.00	\$3,700.00
Model #5	\$1,645.00	\$2,300.00	Model #10	\$3,210.00	\$4,495.00

Package Includes: Installation & Dismantling, Choice of Carpet Colour, Choice of Panel Colour, Company Identification Sign

Package Does Not Include: Cleaning, Light Fixtures or Electrical Outlets

PLEASE COMPLETE THE FOLLOWING: MODEL NUMBER: *Upgrade options available. Contact Exhibitor Services.*

Font Colour: Black

Infill Panel Colour: Black Blue Grey White

Carpet Colour: Black Blue Grey Red *(All panel & carpet colours subject to availability.)*

Models 1, 2, 3, 4, 5, 6, 8 or 9 Identification Sign to Read: _____

Models 7 or 10 Identification Sign to Read: Left: _____ Right: _____

Indicate Date & Time for Arrival: _____

Custom Header Signs/Logos will be charged \$100.00 extra per sign

**ALL ORDERS MUST BE PREPAID IN FULL
(ORDERS CANNOT BE PROCESSED UNTIL PAYMENT IS RECEIVED)**

Terms & Conditions

- Payment may be made by cheque up to two weeks prior to the 1st day of move in.
- All orders received after the Discount Price Date will be processed at the Regular Price.
- Exhibitor is responsible for all items for the duration of the show.
- Charges are for rental of equipment only. All items remain the property of GES.
- No refunds/exchanges once show move-in begins. All claims or discrepancies must be settled prior to show closing.
- GES is not responsible for exhibit materials left in GEM rental exhibits or counter storage units.

SUBTOTAL	_____
5% GST	_____
TOTAL	_____
GST #R104060264	

I have read and understand the Terms & Conditions of my Agreement with GES.

Signature

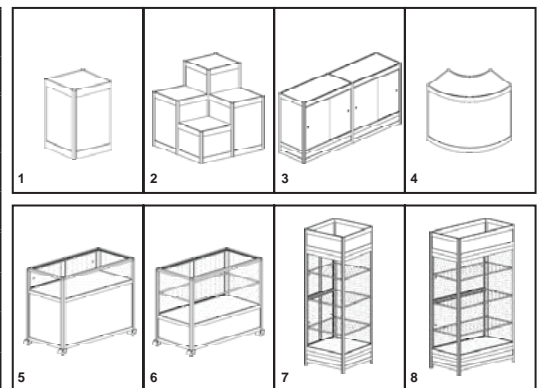
Date

#3030 - 2600 Portland St. SE Calgary, Alberta, T2G 4M6 Tel: (403) 243-2212 Fax: (403) 243-3868 Toll Free 1-800-636-8235 www.gesexpo.ca

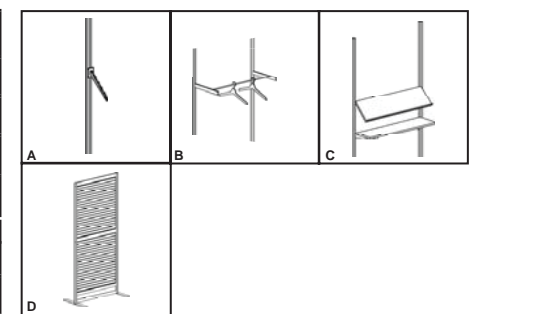
SHOW: Calgary Chamber of Commerce Small Business Week & Awards	DISCOUNT PRICE DEADLINE DATE: October 6, 2016								
EXHIBITOR INFORMATION	CREDIT CARD AUTHORIZATION								
BOOTH #: _____	<input type="checkbox"/> MASTERCARD <input type="checkbox"/> VISA <input type="checkbox"/> AMEX								
COMPANY _____	<table border="1" style="width:100%; border-collapse: collapse; text-align: center;"> <tr> <td style="width:25px; height: 20px;"> </td> <td style="width:25px; height: 20px;"> </td> <td style="width:25px; height: 20px;"> </td> <td style="width:25px; height: 20px;"> </td> <td style="width:25px; height: 20px;"> </td> <td style="width:25px; height: 20px;"> </td> <td style="width:25px; height: 20px;"> </td> <td style="width:25px; height: 20px;"> </td> </tr> </table>								
STREET _____	EXPIRY DATE _____ / _____								
CITY _____ PROV/STATE _____ CODE _____	CARDHOLDER NAME _____								
E-MAIL _____	CARDHOLDER SIGNATURE _____								
PHONE _____ FAX _____	<input type="checkbox"/> CHEQUE ATTACHED (PAYABLE TO GES)								
CONTACT NAME _____									

ALL ORDERS MUST BE PREPAID IN FULL
(ORDERS CAN NOT BE PROCESSED UNTIL PAYMENT IS RECEIVED) LIGHTS ARE INCLUDED IN SHOWCASES (ELECTRICAL SERVICES EXTRA)

QTY	#	DESCRIPTION	DISCOUNT PRICE	REGULAR PRICE	TOTAL
	1	Pedestal (White) 20"L x 20"W □ 28"H or □ 36"H	\$87.00	\$122.00	
	2	Pedestal White 40"L X 40"W (Tops are 20" X 20") (Unit Heights - 16"- 28" & 28"- 40")	\$436.00	\$610.00	
	3	Storage Counter (White) 80"L X 20"W X 40"H	\$260.00	\$364.00	
	4	Curved Counter (White) 60"L X 20"W X 36"H	\$178.00	\$249.00	
	5	99A Showcase (White/Glass) 40"L X 20"W X 40"H	\$178.00	\$249.00	
	6	99B Showcase (White/Glass) 40"L X 20"W X 40"H	\$181.00	\$253.00	
	7	99C Showcase (White/Glass) 26"L X 26"W X 96"H	\$263.00	\$368.00	
	8	99D Showcase (White/Glass) 40"L X 20"W X 96"H	\$371.00	\$519.00	



QTY	#	DESCRIPTION	DISCOUNT PRICE	REGULAR PRICE	TOTAL
	A	Waterfall With Eight Balls	\$17.00	\$24.00	
	C	Garmet Rail 39"W	\$44.00	\$61.00	
	D	Shelves □ Flat □ Angled 37"L X 12"W	\$37.00	\$52.00	
	E	Slatwall Panels - 37"W X 96"H Grey (Upgrade for standard panels)	\$102.00	\$143.00	



To Be Able To Rent These Accessories, You Must Order a GEM Hardwall Booth From GES

Please Attach Diagram Of Booth Indicating Locations For Grid Panels And/Or Slatwall. Grid Panels Cannot Be Installed In Corners.

Terms & Conditions

- All items subject to availability.
- No refunds/exchanges once show move-in begins.
- All claims or discrepancies must be settled prior to show closing.
- Exhibitor is responsible for all items for the duration of the show.
- Charges are for rental of equipment. All items remain the property of GES.
- All orders received after the Discount Price Date will be processed at the Regular Price.

SUBTOTAL	
5% GST	
TOTAL	
	GST #R104060264

I have read and understand the Terms & Conditions of my Agreement with GES.

Signature

Date

SIGN ORDER FORM

#3030 - 2600 Portland St. SE Calgary, Alberta, T2G 4M6 Tel: (403) 243-2212 Fax: (403) 243-3868 Toll Free 1-800-636-8235 www.gesexpo.ca

SHOW: **Calgary Chamber of Commerce Small Business Week & Awards**

DISCOUNT PRICE DEADLINE DATE: **October 6, 2016**

EXHIBITOR INFORMATION

BOOTH #: _____

COMPANY _____

STREET _____

CITY _____ PROV/STATE _____ CODE _____

E-MAIL _____

PHONE _____ FAX _____

CONTACT NAME _____

CREDIT CARD AUTHORIZATION

MASTERCARD VISA AMEX

--	--	--	--	--	--	--	--	--	--

EXPIRY DATE _____ / _____

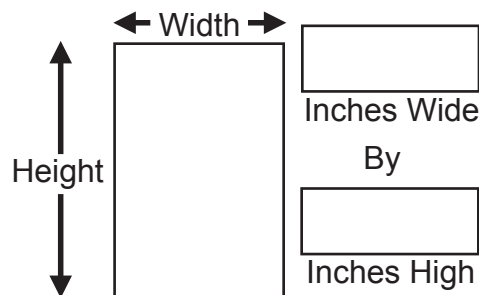
CARDHOLDER NAME _____

CARDHOLDER SIGNATURE _____

CHEQUE ATTACHED (PAYABLE TO GES)

ALL ORDERS MUST BE PREPAID IN FULL (ORDERS CAN NOT BE PROCESSED UNTIL PAYMENT IS RECEIVED)

SIGN LAYOUT



Sign Sizes	Discount Price	Regular Price
11" x 14"	\$ 41.00	\$ 57.00
14" x 22"	\$ 57.00	\$ 80.00
22" x 28"	\$ 89.00	\$125.00
7" x 44"	\$ 57.00	\$ 80.00
28" x 44"	\$153.00	\$214.00
40" x 60"	\$233.00	\$326.00

LOGOS ARE NOT INCLUDED IN PRICING

PLEASE PRINT OR TYPE WORDING REQUIRED:

ALL SIGNS MUST BE PICKED UP FROM OUR ON-SITE SERVICE DESK.

Terms & Conditions

- All orders received after the Discount Price Date will be processed at the Regular Price.
- There are no refunds/exchanges on signs.
- All claims or discrepancies must be settled at the GES Service Centre prior to show closing.

SUBTOTAL	
5% GST	
TOTAL	
GST #R104060264	

I have read and understand the Terms & Conditions of my Agreement with GES.

Signature

Date

LABOUR SERVICE ORDER FORM

#3030 - 2600 Portland St. SE Calgary, Alberta, T2G 4M6 Tel: (403) 243-2212 Fax: (403) 243-3868 Toll Free 1-800-636-8235 www.gesexpo.ca

SHOW: **Calgary Chamber of Commerce Small Business Week & Awards**

EXHIBITOR INFORMATION

BOOTH #: _____

COMPANY _____

STREET _____

CITY _____ PROV/STATE _____ CODE _____

E-MAIL _____

PHONE _____ FAX _____

CONTACT NAME _____

DISCOUNT PRICE DEADLINE DATE: **October 6, 2016**

CREDIT CARD AUTHORIZATION

MASTERCARD VISA AMEX

_____|_____|_____|_____|_____|_____|_____|_____|_____|_____|

EXPIRY DATE _____ / _____

CARDHOLDER NAME _____

CARDHOLDER SIGNATURE _____

CHEQUE ATTACHED (PAYABLE TO GES)

CREDIT CARD AUTHORIZATION (ABOVE) MUST BE COMPLETED AS METHOD OF PAYMENT FOR THIS SERVICE

LABOUR RATES ARE CHARGED PER PERSON AT **A MINIMUM CHARGE OF ONE HOUR**. LABOUR OVER ONE HOUR IS CHARGED IN 1/2 HOUR INCREMENTS. (A 30% SURCHARGE WILL BE APPLIED TO ON-SITE ORDERS)

<p>Straight Time 8:00am - 4:00pm Monday - Friday</p> <p>\$ 69.00 PER HOUR</p>	<p>Overtime After 4:00pm Weekdays & All Day Sat, Sun and holidays</p> <p>\$103.50 PER HOUR</p>
---	--

EXHIBITOR MUST REPORT TO GES SERVICE CENTRE TO RECEIVE THEIR LABOUR

INSTALLATION Set Up Drawings or Photos Attached: yes no

Carrier: _____ Delivery Date: _____ Delivery Time: _____ am pm
Day / Date/ Month / Year

SUPERVISION By Exhibitor (Provide Name of Rep): _____ By GES ^{30% surcharge applies}
(Exhibitor MUST be Present to Supervise) (Exhibitor does NOT have to be present)

DATE LABOUR REQUIRED: _____ START TIME REQUIRED: _____ am pm
Day / Date/ Month / Year

NUMBER OF PEOPLE REQUIRED X HOURS PER PERSON = TOTAL HOURS

DISMANTLING

Carrier: _____ Pick-up Date: _____ Pick-up Time: _____ am pm
Day / Date/ Month / Year

SUPERVISION By Exhibitor (Provide Name of Rep): _____ By GES ^{30% surcharge applies}
(Exhibitor MUST be Present to Supervise) (Exhibitor does NOT have to be present)

DATE LABOUR REQUIRED: _____ START TIME REQUIRED: _____ am pm
Day / Date/ Month / Year

NUMBER OF PEOPLE REQUIRED X HOURS PER PERSON = TOTAL HOURS

- Terms & Conditions**
- When Exhibitor is supervising labour the Exhibitor must check labour in and out at the GES Service Centre.
 - We reserve the right to change labourers and/or rates as shifts change.
 - All claims or discrepancies must be settled within one week of show closing.
 - Uncancelled labour will be charged a minimum fee of 1 hour per person.
 - GES Limits of Liability apply.

I have read and understand the Terms & Conditions of my Agreement with GES.

Signature Date

GST #R104060264

MATERIAL HANDLING ORDER FORM

#3030 - 2600 Portland St. SE Calgary, Alberta, T2G 4M6 Tel: (403) 243-2212 Fax: (403) 243-3868 Toll Free 1-800-636-8235 www.gesexpo.ca

SHOW: **Calgary Chamber of Commerce Small Business Week & Awards**

EXHIBITOR INFORMATION

BOOTH #: _____

COMPANY _____

STREET _____

CITY _____ PROV/STATE _____ CODE _____

E-MAIL _____

PHONE _____ FAX _____

CONTACT NAME _____

DISCOUNT PRICE DEADLINE DATE: **October 6, 2016**

CREDIT CARD AUTHORIZATION

MASTERCARD VISA AMEX

--	--	--	--

EXPIRY DATE _____ / _____

CARDHOLDER NAME _____

CARDHOLDER SIGNATURE _____

CHEQUE ATTACHED (PAYABLE TO GES)

CREDIT CARD AUTHORIZATION (ABOVE) MUST BE COMPLETED AS METHOD OF PAYMENT FOR THIS SERVICE

MATERIAL HANDLING SERVICE WILL BE AVAILABLE TO ASSIST EXHIBITORS WITH IN AND OUT HANDLING OF EXHIBITOR MATERIALS AT A **MINIMUM CHARGE OF ONE HOUR** PER SHIPMENT PER FORKLIFT DRIVER. SERVICES OVER 1 HOUR WILL BE CHARGED IN 1/2 HOUR INCREMENTS. (INCLUDES MOVE-IN AND MOVE-OUT).

THIS SERVICE IS NOT PAID FOR BY SHOW MANAGEMENT

Straight Time
8:00am - 4:00pm
Monday - Friday

Overtime
4:00pm - 6:00pm
Monday - Friday
8:00am - 4:00 pm Sat & Sun

\$106.00 PER HOUR

\$159.00 PER HOUR

A 30% SURCHARGE WILL BE APPLIED TO ON-SITE ORDERS.
 (5% GST IS APPLICABLE)

All Rates Include Forklift Driver

PLEASE COMPLETE THE FOLLOWING:

Goods are scheduled for delivery to: Show Site Advance Warehouse

Date goods are scheduled to arrive: _____ Total Weight: _____ lbs. _____ kg.
Month/Day

Carrier Name: _____ Number of Pieces: _____

Terms & Conditions

- Collect shipments will not be accepted.
- GES is not responsible for concealed damage, damage to loose or inadequately packed shipments or loss of merchandise after delivery to booth.
- It is the exhibitor's responsibility to secure and maintain loss & damage insurance coverage for their exhibit properties.
- All claims or discrepancies must be settled at the GES Service Centre prior to show closing.
- GES's Limits of Liability & Responsibility apply to this service.

SUBTOTAL	
5% GST	
TOTAL	
	GST #R104060264

I have read and understand the Terms & Conditions of my Agreement with GES.

 Signature Date

It's (almost) show time! Are you ready?

GES offers many products and services to help you achieve the results you are looking for. Have you considered...

GES Logistics Services *Local, Regional, International*

- ✈ **Transportation**
- 🌐 **Tracking & Tracing**
- 🔒 **Warehousing**
- ☑ **Exhibit Management**

Let GES Logistics handle the details. We smoothly navigate the many challenges of event management from shipping to tracking to warehousing and more.

Our **GES** Logistics team offers you **one-stop shopping for all your tradeshow and event needs.**

Transportation management you can rely on.

With **GES** Logistics, you have a variety of shipping options:

- Common Carrier
- LTL trucking to handle national, regional and local shipping
- Full truck load for economy
- Air, including second-day and deferred

Want to find out more?

Call toll free at 1 855-526-7182 or complete information below and fax to (778) 452-6221, and let GES take care of your logistics needs from start to finish.

Company Name:	Phone:
Contact:	Fax:



GES *Global
Experience
Specialists*



logistics

GES is proud to offer our clients a one source solution for Transportation services

GES Logistics Services

Your Choice of Reliable Service Options

- Time Critical Ground
- Expedited Ground
- 3-5 Day Deferred
- Common Carrier
- Van Line

24-Hour Tracking

Call toll free 1-800-636-8235 for immediate information on the status of your shipment

On-Site Representation

GES Logistics representatives will be on site from the beginning of move-in and throughout the event until the last shipment leaves the show floor

Competitive Pricing

You will benefit from priority delivery at competitive prices thanks to special arrangements we have with select carriers

Simplified Budgeting

Our transportation management system gives you the information you need to budget more effectively

Simplified Ordering

For your convenience choose one of the ordering options available:

- Online: www.gesexpo.ca
- Phone: 403-243-2212 or 1-800-636-8235
- Fax: 403-243-3868

Ship everywhere with GES Logistics Services.

#3030 - 2600 Portland St. SE Calgary, Alberta, T2G 4M6 Tel: (403) 243-2212 Fax: (403) 243-3868 Toll Free 1-800-636-8235 www.gesexpo.ca

PICK UP INFORMATION

COMPANY NAME: _____ PICK UP DATE: _____ PICK UP TIME: _____
 ADDRESS: _____ BUSINESS HOURS: _____ LOADING DOCK: YES NO
 CITY: _____ PROV/STATE: _____ CODE: _____ CUSTOMS PAPERWORK ATTACHED: YES NO
 CONTACT: _____ IF YES, CUSTOMS BROKER: _____
 PHONE: _____ CONTACT: _____
 FAX: _____ EMAIL: _____ PHONE: _____

I will be shipping to: ADVANCED WAREHOUSE SHOW SITE

DESTINATION

COMPANY NAME: _____ BOOTH #: _____
 ON-SITE CONTACT: _____
 SHOW NAME: Calgary Chamber of Commerce Small Business Week & Awards DELIVERY DATE: _____ DELIVERY TIME: _____
 FACILITY: _____
 ADDRESS: _____
 CITY: _____ PROV/STATE: _____ CODE: _____

SERVICE REQUIRED

ONE WAY ROUND TRIP
 SAME DAY OVERNIGHT 2ND DAY 3-5 DAY GROUND

ITEMS TO BE SHIPPED

SERVICE WILL BE CHARGED ON **ACTUAL** WEIGHT & DIMENSIONS

TOTAL NUMBER OF PIECES:	DIMENSIONS IN INCHES:	ESTIMATED WEIGHT:
_____ CARTONS (CARDBOARD)	H _____ x W _____ x L _____	
_____ CASES/TRUNKS (FIBRE) COLOUR: _____	H _____ x W _____ x L _____	
_____ CRATES (WOODEN)	H _____ x W _____ x L _____	
_____ SKIDS/PALLETS	H _____ x W _____ x L _____	
_____ CARPET/COLOUR: _____	H _____ x W _____ x L _____	
_____ OTHER LIST: _____	H _____ x W _____ x L _____	
_____ TOTAL	TOTAL WEIGHT:	

BILLING AND PAYMENT INFORMATION

COMPANY NAME: _____ ADDRESS: _____ CITY: _____
 PROV/STATE: _____ CODE: _____ EMAIL: _____ TEL: _____ FAX: _____
 CREDIT CARD NUMBER: _____ EXPIRY DATE: _____
 VISA MASTERCARD AMERICAN EXPRESS
 CARDHOLDER NAME: _____ CARDHOLDER SIGNATURE: _____

TERMS & CONDITIONS

GES assumes no responsibility for shipments left in booth by exhibitor. All materials are subject to final count and correction at time of actual removal from booth. Shipper hereby designates GES as its agent for tendering shipments to carrier. GES reserves the right to reroute any outgoing shipment via an alternate carrier in the event the requested carrier fails to pick up the shipment by established carrier check-in deadline. GES assumes no responsibility for misdirected shipments as a result of old shipping labels which remain on containers. It is the shipper's responsibility to state the national motor freight classification commodity description, otherwise shipment shall be described as exhibition materials.

1) GES shall not be responsible for damage to uncrated materials, materials improperly packed, or concealed damage. 2) GES shall not be responsible for loss, theft, or disappearance of exhibitors material after same has been delivered to exhibitor's booth. 3) GES shall not be responsible for loss, theft, or disappearance of materials before they are picked up from exhibitor's booth for reloading after the show. Bill of Lading covering outgoing shipments, which are furnished by GES CANADA to exhibitors, will be checked at time of actual pick-up from booth and corrections made where discrepancies occur. 4) GES shall not be responsible for any loss, damage, or delay due to fire, acts of God, strikes, lockouts or work stoppages of any kind, or to any causes beyond its control. 5) GES's liability shall be limited to the physical loss or damage to the specific article which is lost or damaged, and in any event GES's maximum liability shall be limited to \$0.30 per pound per article with a maximum liability of \$50.00 per item, or \$1,000.00 per shipment, whichever is less. 6) GES shall not be liable to any extent whatsoever for any actual, potential, or assumed losses of profits or revenues, or for any collateral costs, which may result from any loss or damage to an exhibitor's materials which may make it impossible or impractical to exhibit same. 7) The consignment or delivery of a shipment to GES by an exhibitor, or by any shipper to or on behalf of the exhibitor, shall be construed as an acceptance by such exhibitor (and/or other shipper) of the terms and conditions set forth. Exhibitor is responsible to declare all hazardous materials and abide by all federal, state and local laws.

By signing this order form, shipper agrees to be bound by all its terms and conditions.

X _____ Date: _____

Please Print Name: _____



customs

GES is proud to offer our clients a one source solution for Customs and Transportation services

GES Customs Services

Reliable and Efficient Service

- Experienced and reliable staff you can depend on who specialize in Tradeshow Customs procedures
- Personnel are accessible at all times

Value Added Service

- Save time and money by making fewer calls

Personalized Service

- Telephone, email and fax communication
- Forms and instructions for completion in all Exhibitor Service Kits
- One-on-one Customs consultation to assist all exhibitors with their specific needs

On-Site Representation

GES Customs Services representatives will be on site from the beginning of move-in and throughout the event until the last shipment leaves the tradeshow floor

Simplified Ordering

For your convenience choose one of the ordering options available:

- Online: www.gesexpo.ca
- Phone: 403-243-2212 or 1-800-636-8235
- Fax: 403-243-3868

Leave all your shipping, customs clearance and furniture rentals to GES.

ADVANCE WAREHOUSE SHIPPING LABEL

EXHIBIT SHIPMENT FOR ADVANCE WAREHOUSE

SHIPPER: _____
(Name of Company where shipment originates.)

TO: _____
(Name of your exhibiting Company at the show.)

BOOTH NUMBER: _____
(Your booth number at the show.)

C/O: **GES /** Calgary Chamber of Commerce Small Business Week & Awards
#3030-2600 Portland St. SE
Calgary, Alberta, Canada
T2G 4M6

CARRIER: _____
(Name of your Transportation Company)

NUMBER **OF** **PIECES**

ADVANCE WAREHOUSE SHIPMENTS SHOULD ARRIVE BEFORE:

Friday October 14, 2016

1. GES CANADA Exposition Services herein known as GES and its subcontractors shall not be responsible for damage to uncrated materials; materials improperly packed, glass breakage or concealed damage.

2. Relative to inbound shipments, there may be a lapse of time between the delivery of shipment(s) to the booth by GES or its subcontractors and the arrival of the Exhibitor's representative at the booth. Similarly, relative to outgoing shipment(s), it is possible that there will be a lapse of time between the completion of packing and the actual pick-up of materials from the booth for loading onto a carrier. It is understood that during such times the shipment(s) will be left in the booth unattended.

Therefore, it is agreed that GES and its subcontractors are not responsible for the loss or disappearance of Exhibitor's materials after the same have been delivered to Exhibitor's booth, nor are GES and its subcontractors responsible for Exhibitor's materials before they are picked up from the Exhibitor's booth for loading after the show. Consequently, all bills of lading covering outgoing shipment(s) submitted to GES or its subcontractors by Exhibitor will be checked at the time of pick-up from the booth and corrected where discrepancies exist.

3. GES and its subcontractors shall not be held liable for any damage incurred during the handling of equipment requiring special devices to properly load, place or reload unless advance notice has been given to GES in time to obtain the proper equipment.

4. GES and its subcontractors shall not be responsible for loss, delay or damage due to strikes, lockouts or work stoppages of any kind.

5. GES and its subcontractors shall not be responsible for ordinary wear and tear in handling of equipment, nor for loss or damage due to fire, theft, windstorm, water, vandalism, acts of God, mysterious disappearance or other causes beyond their control.

6. It is understood that GES and its subcontractors are not insurers. Insurance, if any, shall be obtained by the Exhibitor. Amounts payable to GES hereunder are based on the scope of the liability as herein set forth and are unrelated to the value of the Exhibitor's property. It is further understood and agreed that GES and its subcontractors do not provide for full liability should loss or damage occur. It is agreed that if GES or its subcontractors should be found liable for loss or damage to Exhibitor's equipment, the liability shall be limited to the specific article that was physically lost or damaged. Such liability shall be limited to a sum equal to \$0.30 per pound per article, with a maximum liability of \$50.00 per item or \$1,000.00 per shipment, whichever is less, as agreed upon damages and exclusive remedy. Provisions of this paragraph shall apply if loss or damage, regardless of cause or origin, results directly or indirectly to property through performance services to

Exhibitor's or from negligence, active or otherwise, by GES, its subcontractors or their employees.

7. GES and its subcontractors shall not be liable to any extent whatsoever for any actual, potential or assumed loss of profits or revenues or for any collateral costs that may result from any loss or damage to Exhibitor's materials which may make it impossible or impracticable to exhibit same.

8. Claims for loss or damage must be submitted to GES by the close of the show. No suit or action shall be brought against GES or its subcontractors more than one year after the cause of action.

9. The Exhibitor agrees, in connection with the receipt, handling, temporary storage and reloading of its materials, that GES and its subcontractors will provide these services as Exhibitor's agent and not as bailee or shipper. If any employee of GES or its subcontractors shall sign a delivery receipt, bill of lading or other document, we agree that GES or its subcontractor will do so as the Exhibitor's agent, and the Exhibitor accepts the responsibility thereof.

10. GES and its subcontractors shall not be liable for shipments received without receipts, freight bills or specified unit counts on receipts or freight bills, such as a courier or van lines. Such shipments will be delivered to booth without guarantee of piece count or condition.

11. Empty container labels will be available at the GES Service Centre. Affixing the labels is the sole responsibility of the Exhibitor or its representative. It is understood that these labels are used for EMPTY STORAGE ONLY, and GES and its subcontractors assume no responsibility for loss or damage to contents while containers are in storage or for mislabelled containers.

12. In order to expedite removal of materials from the show site, GES shall have the authority to change designated carriers, if such carriers do not pick up on time. Where no disposition is made by the Exhibitor, materials will be taken to a warehouse to await Exhibitor's shipping instructions, and the Exhibitor agrees to be responsible for payment of charges relating to such handling at the warehouse. GES assumes no liability as a result of such re-routing or handling.

13. The Exhibitor agrees, in the event of a dispute with GES or its subcontractors relative to any loss or damage to any of your materials or equipment, that the Exhibitor will not withhold payment in any amount due to GES for material handling services or any other services provided by GES or its subcontractors as an offset against the amount of the alleged loss or damage. Instead, the Exhibitor agrees to pay GES prior to the close of the show for all such charges and further agrees that any claim the Exhibitor may have against GES or its subcontractors shall be pursued independently by the Exhibitor as a completely separate transaction to be resolved on its own merits.

The consignment or delivery of a shipment to GES or its subcontractors by an Exhibitor or by any shipper on behalf of the Exhibitor shall be construed as an acceptance by such Exhibitor (and/or other shipper) of the terms and conditions set forth in Sections 1 through 13 above.

Be sure your materials are insured from the time they leave your firm until they are returned after the show. It is suggested that Exhibitors arrange all risk coverage. This can usually be done by riders to existing policies. Contact your insurance representative. Be sure your liability insurance is in effect during transit and return of your materials, during storage and at show site.