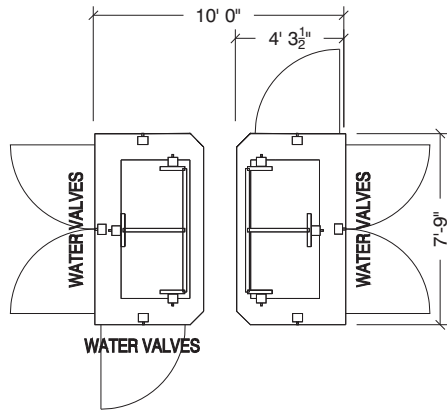


Chicago Auto Show

South Building Column Type C - Column Detail

Every effort has been made to ensure that accuracy of all information contained on this floor plan. However, no warranties, whether expressed or implied, are made with respect to this floor plan. If the location of building columns, utilities or other architectural components of the facility is a consideration in the construction or use of an exhibit, it is the sole responsibility of the exhibitor to physically inspect the facility to verify all dimensions and locations. © GES Exposition Services 2006



PLAN VIEW
Not to scale

INDIVIDUAL COLUMN DETAILS

Split Column W/O fire hose cabinet
All doors open 42"

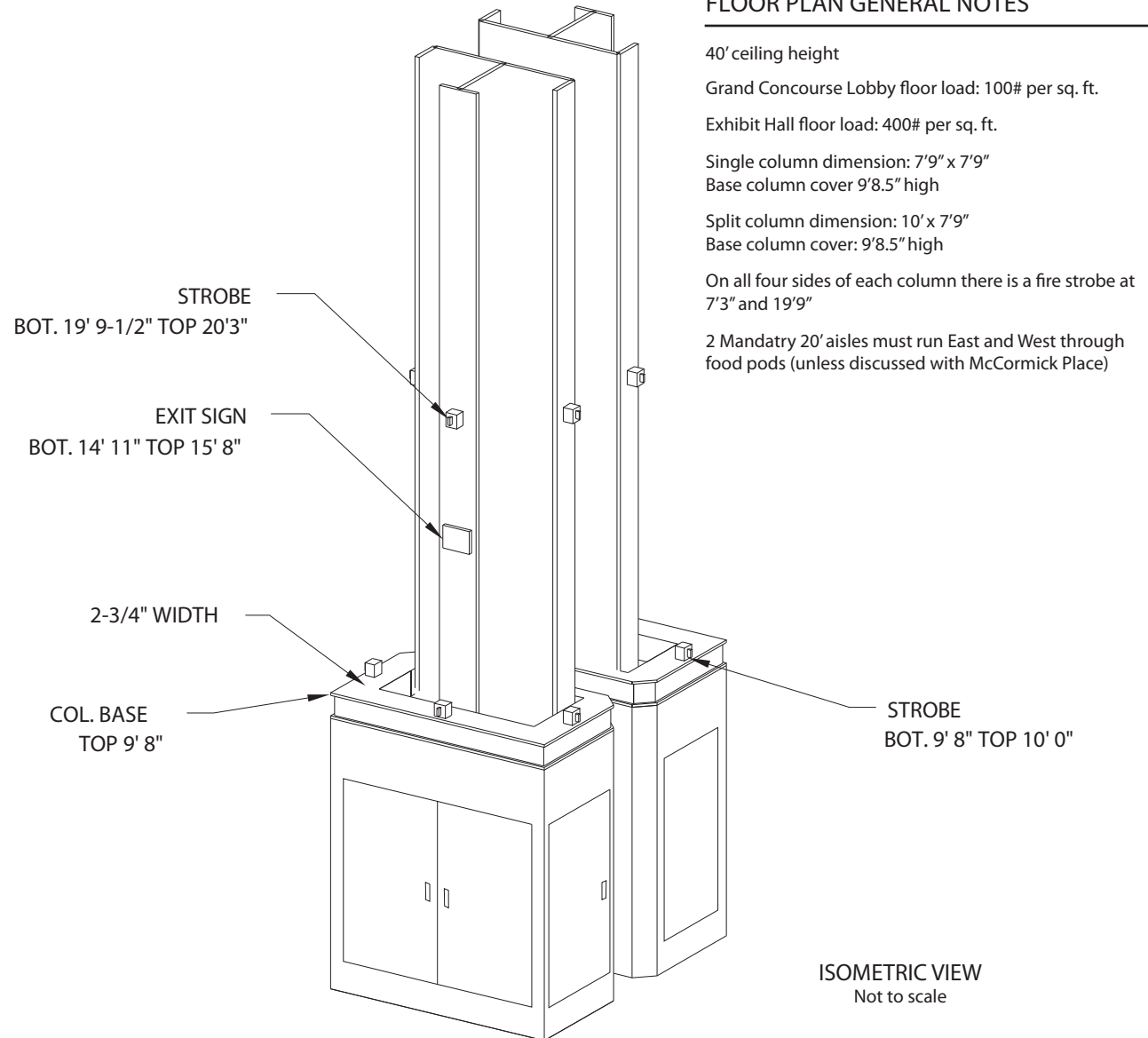
NORTH SECTION

East side
No access required
West and North sides
Water valves (limited access)

SOUTH SECTION

East and South sides
Water valves (limited access)
West side
No access required

Fire strobe on each side of column



ISOMETRIC VIEW
Not to scale

FLOOR PLAN GENERAL NOTES

40' ceiling height

Grand Concourse Lobby floor load: 100# per sq. ft.

Exhibit Hall floor load: 400# per sq. ft.

Single column dimension: 7'9" x 7'9"

Base column cover 9'8.5" high

Split column dimension: 10' x 7'9"

Base column cover: 9'8.5" high

On all four sides of each column there is a fire strobe at 7'3" and 19'9"

2 Mandatry 20' aisles must run East and West through food pods (unless discussed with McCormick Place)