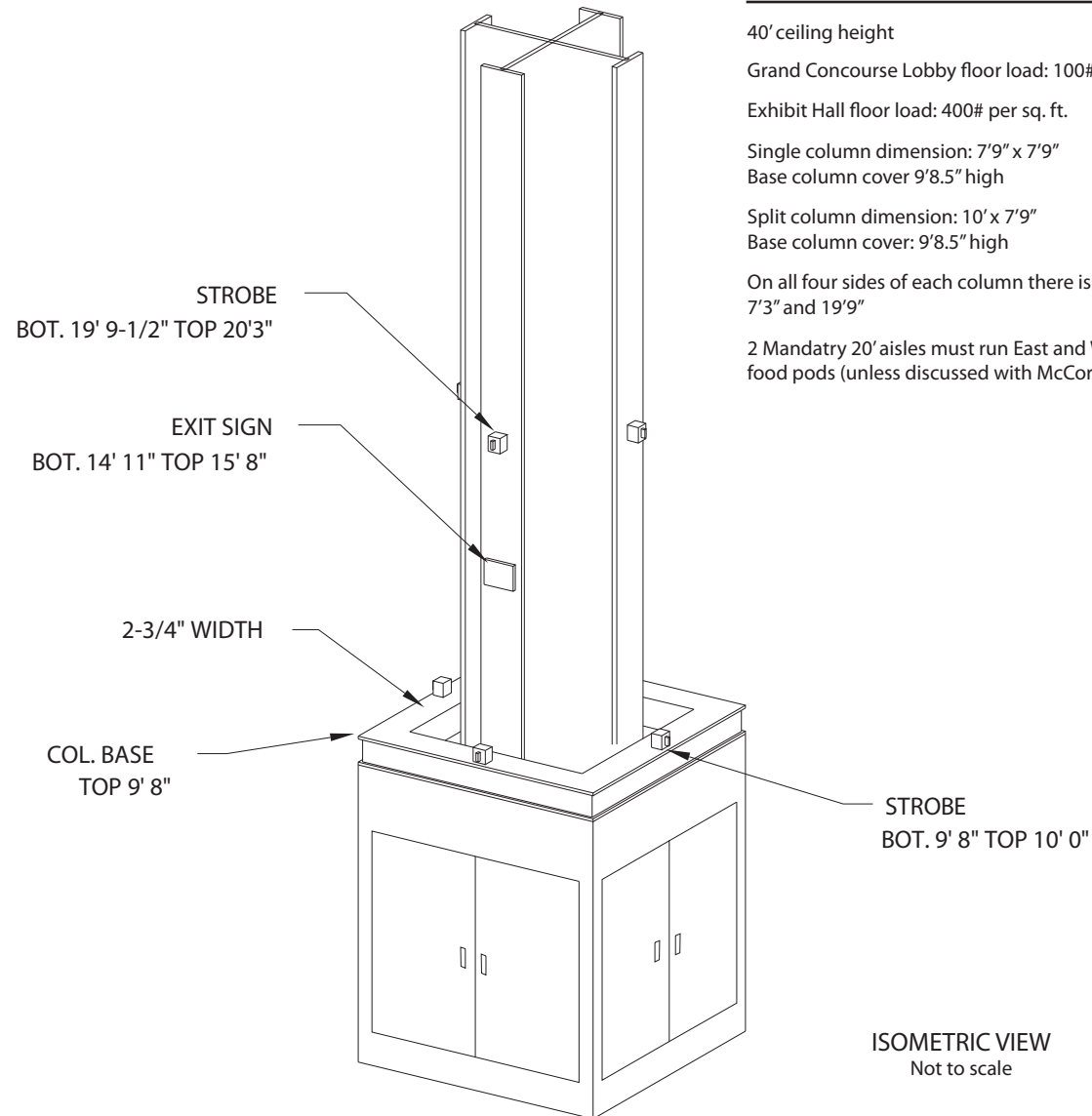
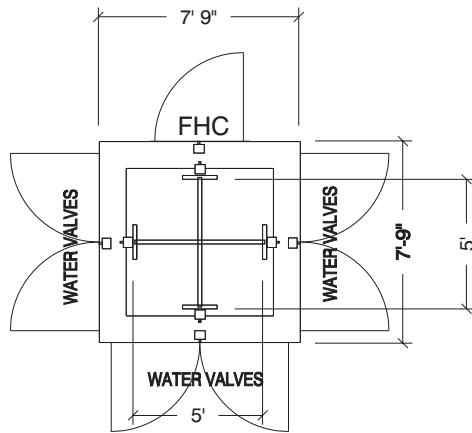


Chicago Auto Show

South Building Column Type B - Column Detail

Every effort has been made to ensure that accuracy of all information contained on this floor plan. However, no warranties, whether expressed or implied, are made with respect to this floor plan. If the location of building columns, utilities or other architectural components of the facility is a consideration in the construction or use of an exhibit, it is the sole responsibility of the exhibitor to physically inspect the facility to verify all dimensions and locations. © GES Exposition Services 2006



FLOOR PLAN GENERAL NOTES

- 40' ceiling height
- Grand Concourse Lobby floor load: 100# per sq. ft.
- Exhibit Hall floor load: 400# per sq. ft.
- Single column dimension: 7'9" x 7'9"
- Base column cover 9'8.5" high
- Split column dimension: 10' x 7'9"
- Base column cover: 9'8.5" high
- On all four sides of each column there is a fire strobe at 7'3" and 19'9"
- 2 Mandatry 20' aisles must run East and West through food pods (unless discussed with McCormick Place)

INDIVIDUAL COLUMN DETAILS

Column WITH fire hose cabinet (FHC)
All doors open 42"

East side
FHC (Total Access)

North, South & West sides
Water valves (limited access)

Fire strobe on each side of column