



Outbound Carrier Instructions North Hall

Freight Delivery/Pickup Requirements

- **Move-in:** All exhibit materials must be sent in advance to the GES Warehouse. Direct shipments will not be accepted at the Anaheim Convention Center North. Freight will be in your booth prior to your installation date.
- **Move-out:** Freight Pick-up will be permitted for the North Hall if they meet the criteria for the facility. **PLEASE SEE PAGE 2 FOR TRUCK REQUIREMENTS**

Due to the vehicle restrictions at the North Hall, the carrier will not be able to use the same vehicle to pick up freight from the ACC and the North Hall. Please notify your carrier that a separate vehicle will be needed to pick up freight from the North Hall.

NORTH HALL OUTBOUND FREIGHT SCHEDULE

DATE	FREIGHT PICKUP	CARRIER CHECK-IN
FRI 3/6/26	2PM - 10PM	BY 4PM
SAT 3/7/26	8AM - 5PM	BY 10AM
SUN 3/8/26	8AM - 5PM	BY 10AM

All carriers must first check in at the Marshaling Yard. Once the shipment is ready, the carrier will be directed to the facility.

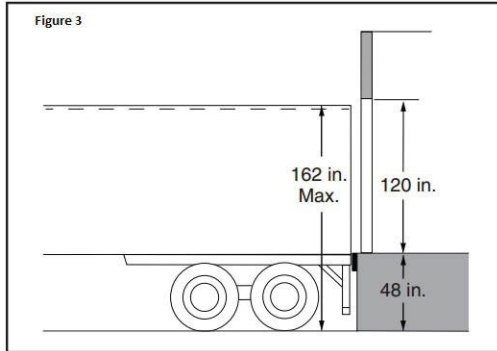
There is no return to warehouse option. All shipments must be picked up at show-site or shipped through GES Logistics



Outbound Carrier Instructions North Hall

TRUCK REQUIREMENTS FOR OUTBOUND CARRIERS IN NORTH HALL

Level 100 Exhibitor shipments must be on a **dock high truck**.
Tractor trailer shipments must be via a **single axle day cab trailer**.



Level 200 Exhibitor shipments must be via a "straight truck"/"bobtail" truck not to exceed 24 ft. in length



TRUCK SPECIFICATIONS

CARGO VAN



Weight Capacity: up to 2,500 lbs.
Door Opening (W x H): 48" x 46"
Inside Dimensions (L x W x H): 50" x 48" x 46"

14' CUBE VAN



Weight Capacity: up to 5,000 lbs.
Door Opening (W x H): 85" x 75"
Inside Dimensions (L x W x H): 168" x 87" x 77"

24' STRAIGHT TRUCK



Weight Capacity: up to 15,000 lbs.
Door Opening (W x H): 87" x 88"
Inside Dimensions (L x W x H): 288" x 91" x 89"

Trucks that do not meet these criteria will not be allowed to enter the North Hall loading docks to pick up exhibitor shipments. Please notify your carrier of these requirements.