



BOOTH REGULATIONS & CONFIGURATIONS

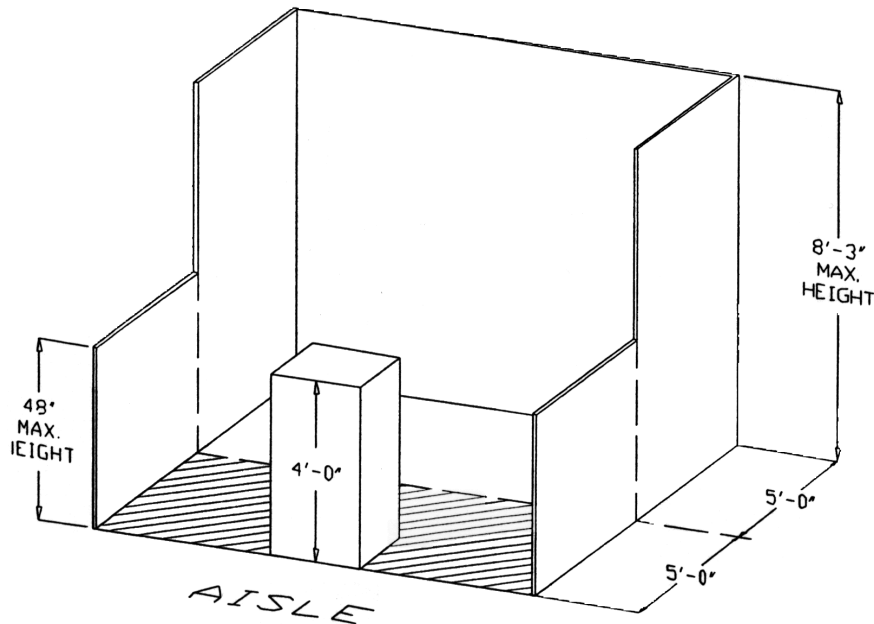
Following are the regulations outlining booth construction. Please keep in mind that the following information is a guideline for determining the configuration of your booth. If you find that you cannot stay within these guidelines, you must seek Show Management approval. For consideration, please contact: Mariella Ley/Alida Roberts at 508.834.6201.

Linear Booth

Linear booths have only one side exposed to an aisle and are usually arranged in a straight line.

Linear booths are 10 feet wide and 10 feet deep with a back wall height limitation of 8 feet 3 inches which includes all fixtures and signs.

The maximum height of 8 feet 3 inches is allowed only in the rear half of the booth space, with a 4 feet height restriction imposed on all materials in the remaining space forward to the aisle. This ensures that the sightlines of neighboring exhibits are not obstructed.



No hanging signs are permitted in linear booths.

Important: Space dimensions shown on floor plan are from the centerline of booth equipment, such as side rails and/or back drape. Exhibit structures must be constructed to allow sufficient tolerance and for utility service at the rear of the booth.



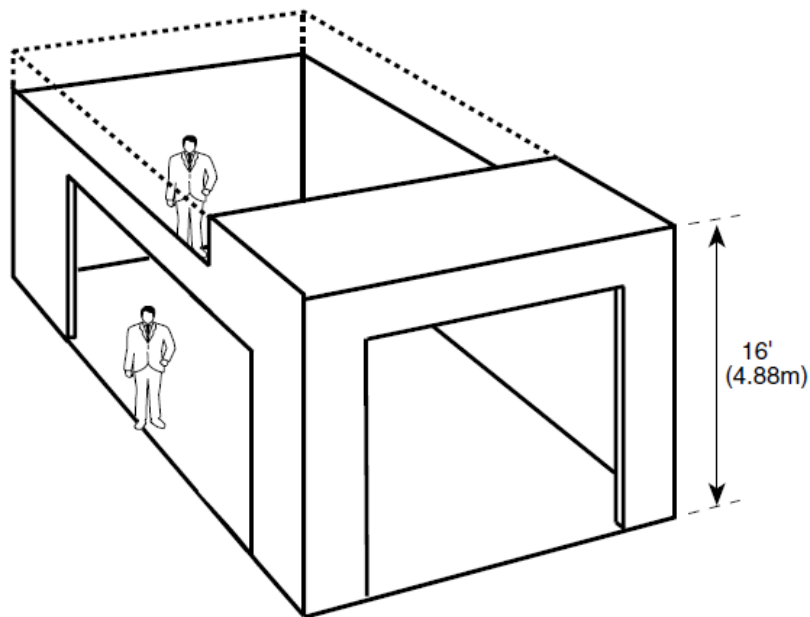
BOOTH REGULATIONS & CONFIGURATIONS (cont'd)

Island Booth

An island booth has 1 or more display levels in 4 or more standard units with aisles on all 4 sides.

Because an island booth is automatically separated by the width of an aisle from all neighboring exhibits, full use of the floor plan is permitted. **If you have any type of interactive display, you must have a 3 feet clearance from the aisle(s), to allow for crowds.**

Signs, graphics and/or structures **may not exceed 25 feet** where available. Please refer to the floor plan and ceiling height chart in the **Show Information and Form Section** of the Exhibitor Manual for the ceiling height of your booth location, or contact Show Management for more information.



Hanging signs are permitted in island booths. Please refer to the Rigging Regulations Information and Rigging Approval Request form located in the **Booth Construction & Set-Up section** of the Exhibitor Manual.

Please Note: For every 50 feet of continuous wall space, there must be an accessible exit.

BOOTH REGULATIONS & CONFIGURATIONS (cont'd)

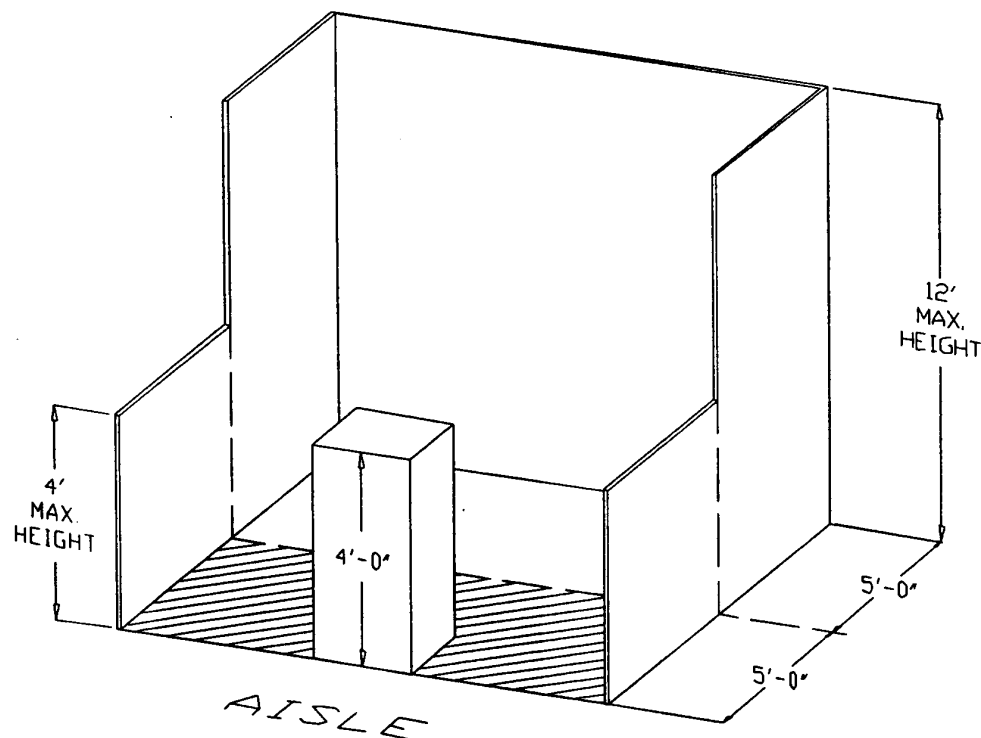
Perimeter Booth

A perimeter booth is a linear booth that backs to a wall of the exhibit facility rather than another exhibit.

Perimeter booths are 10 feet wide and 20 feet deep with a back wall height limitation of 12 feet which includes all fixtures and signs.

The maximum height of 12 feet is allowed only in the rear half of the booth space, with a 4 feet height restriction imposed on all materials in the remaining space forward to the aisle. This ensures that the sightlines of neighboring exhibits are not obstructed.

No hanging signs are permitted in perimeter booths.



Important:

Space dimensions shown on floor plan are from the centerline of booth equipment, such as side rails and/or back drape. Exhibit structures must be constructed to allow sufficient tolerance and for utility service at the rear of the booth.



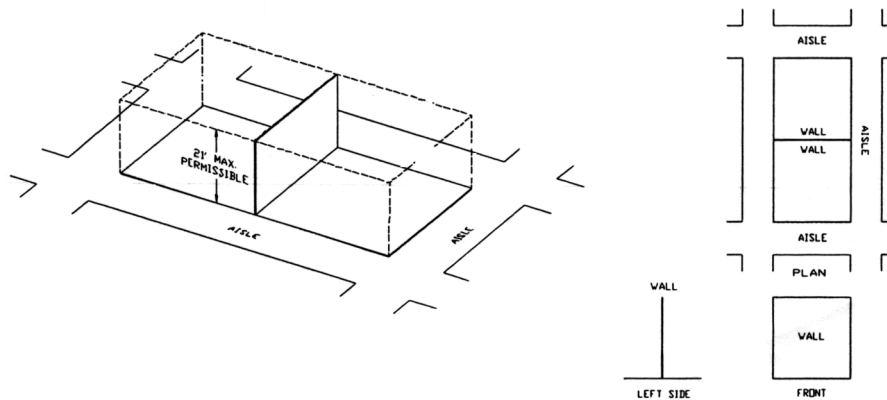
BOOTH REGULATIONS & CONFIGURATIONS (cont'd)

Peninsula Booth

A peninsula booth is 20 feet x 20 feet or larger and is exposed to aisles on 3 sides. There are 2 types of Peninsula Booths:

Peninsula Abutting Linear

A peninsula booth backs up to two linear booths, the back walls of the peninsula booth is restricted to 4 feet high within 5 feet of each aisle. The remaining back wall height restriction is 21 feet high. The backside of the wall must be finished and not contain signage or logos. This is to ensure that the line of sight into an exhibitor's booth is not obstructed.



Hanging signs are permitted in peninsula booths. Please refer to the Rigging Regulations Information and Rigging Approval Request form located in the **Booth Construction & Set-Up Section** of the Exhibitor Manual.

