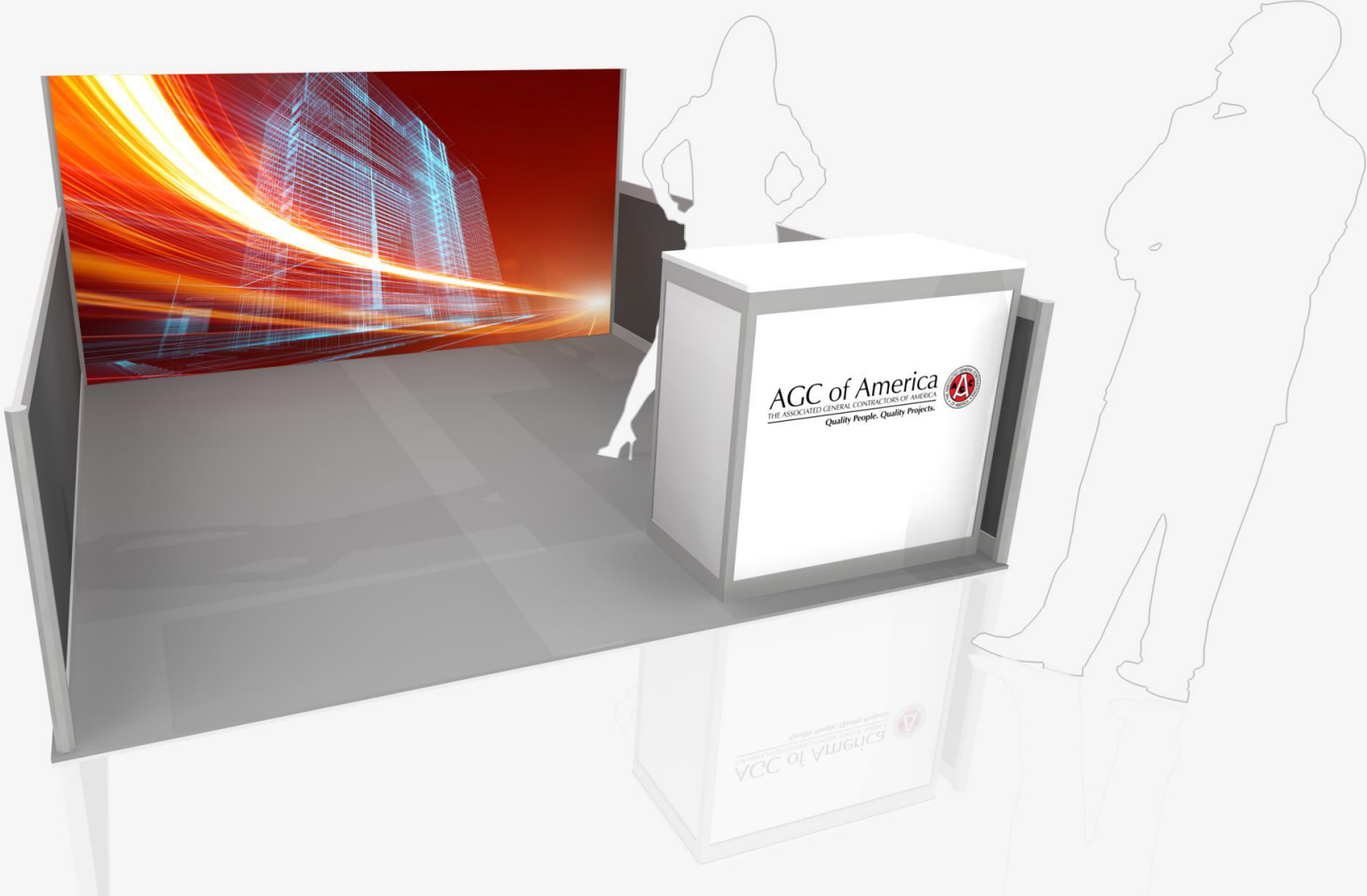


AGCBIM 2018
10' X 10'

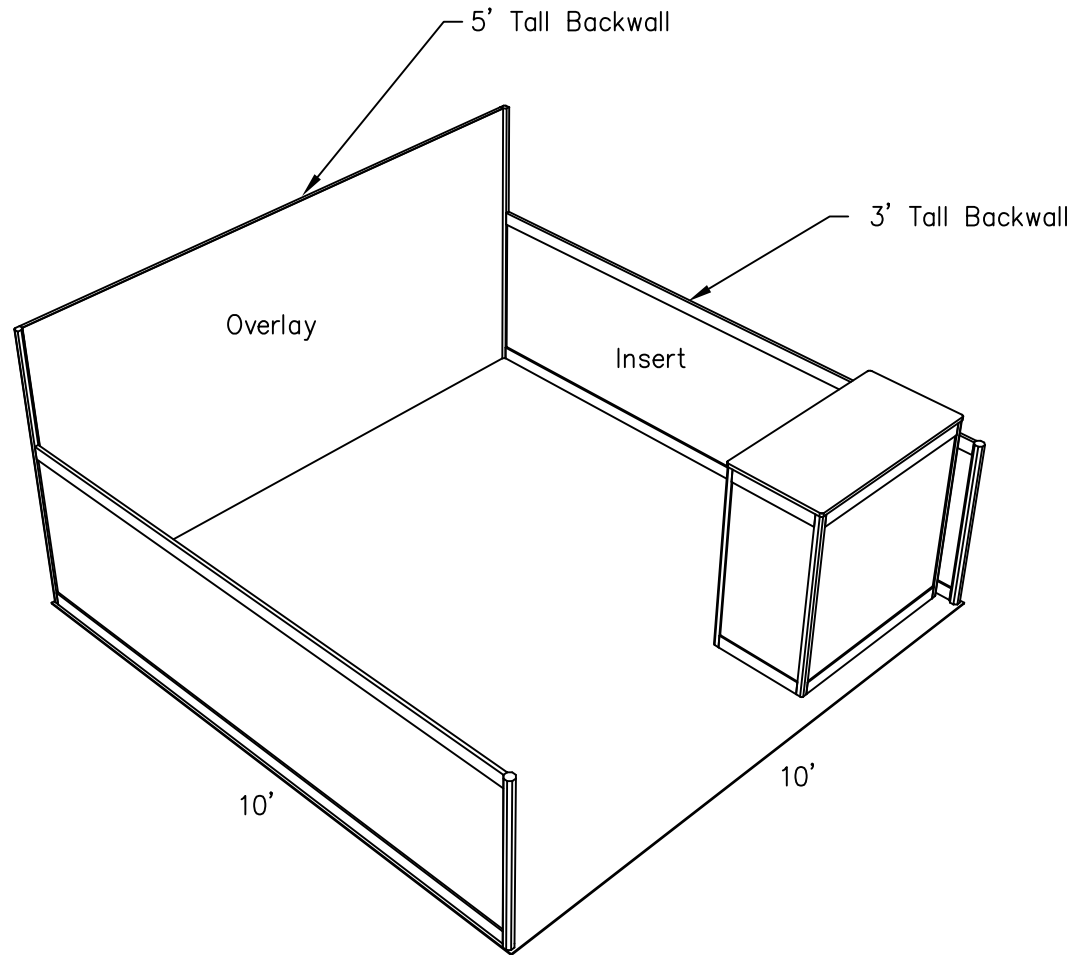


DESIGNED BY: D. TARANTINO
V. BERLINER

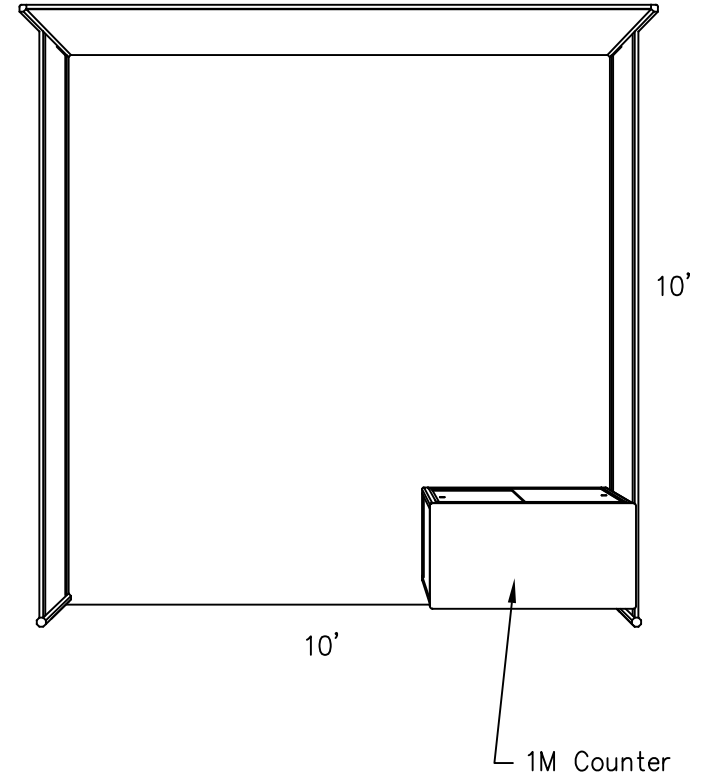
Package: 10' x 10'

GEM structure with Inserts and Overlays

- All metal is silver GEM
- All inserts are grey Tuffcoat
- All back walls are 5' - 0" tall



PERSPECTIVE VIEW



PLAN VIEW

Client: Show Organizer
Show: AGCBIM 2018
Facility: Cosmopolitan, Las Vegas, NV
File:

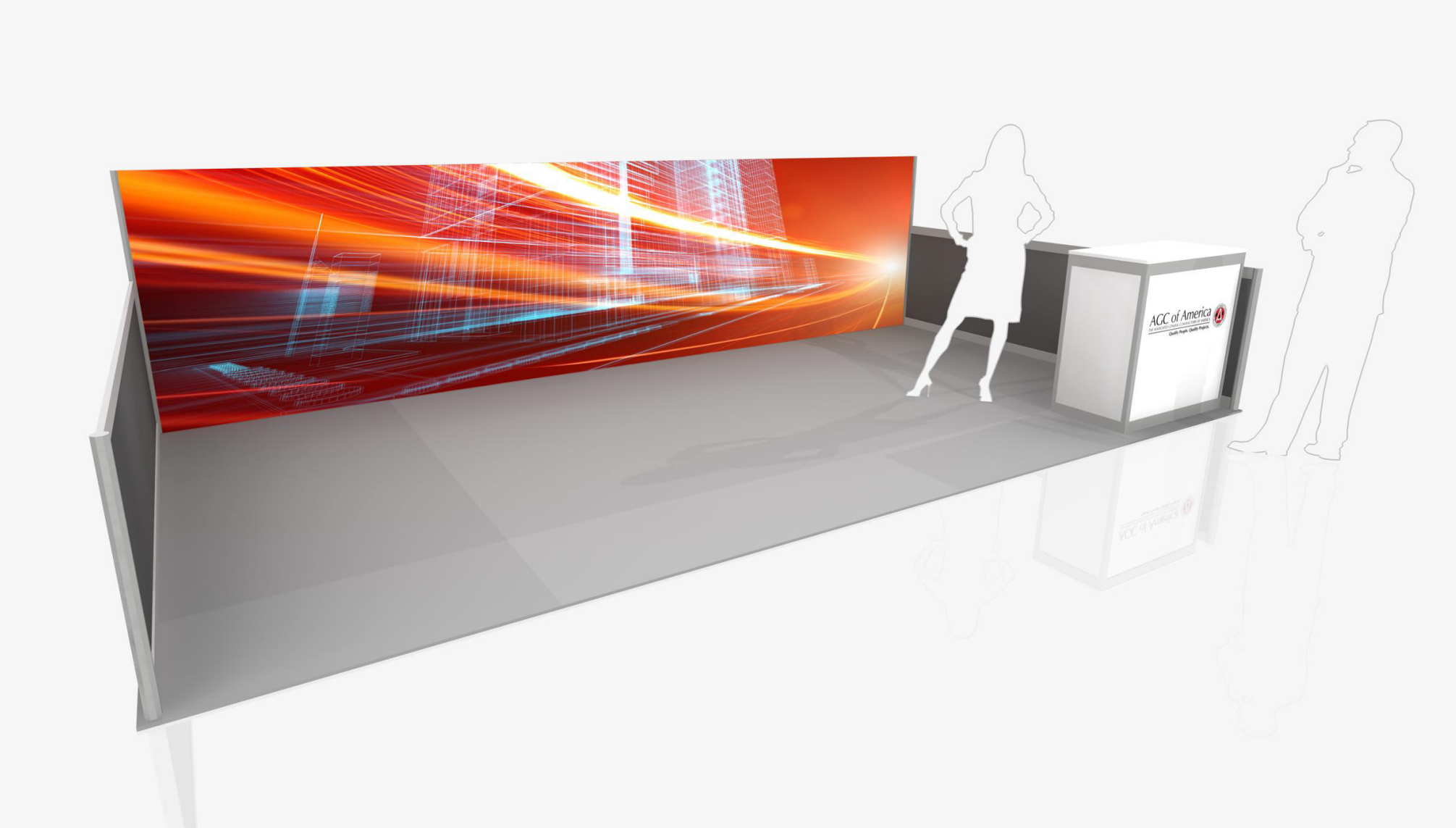
Design No: PACKAGE A
Description: 10' x 10'
Booth No:

Project No:
Requestor: Robinson, T
Concept: -
Design Rev:-

Date: 01-31-2018
Designer: Tarantino, D.
Detailer: N/A
Page No: **1 of 1**

Copyright © 2009 by GES Exposition Services. All rights Reserved. No Part of this document may be reproduced, stored in any retrieval system, or transmitted in any form or by any means - electronic, mechanical, photocopying, recording or otherwise - without the express written consent of GES Exposition Services

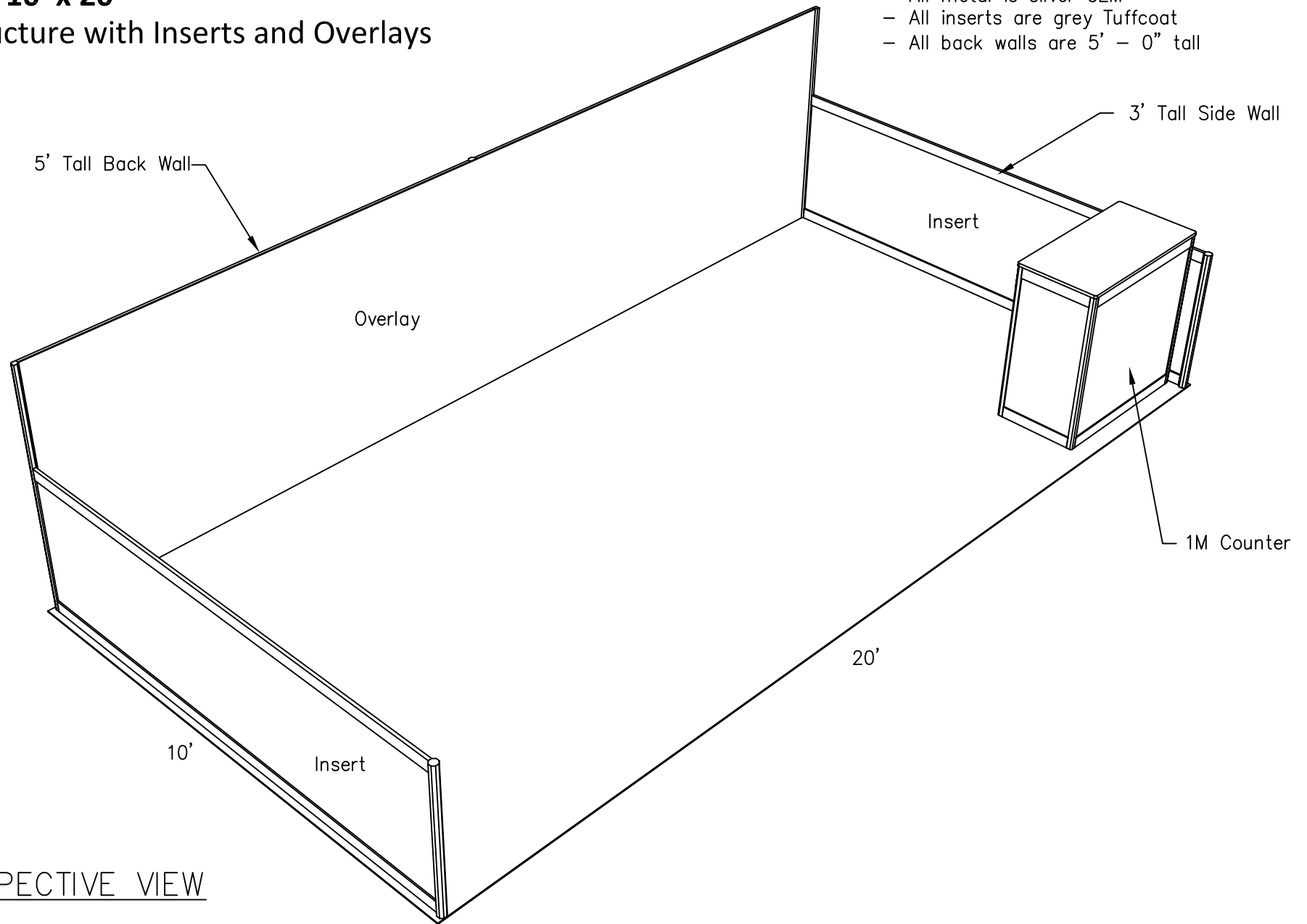




Package: 10' x 20'

GEM structure with Inserts and Overlays

- All metal is silver GEM
- All inserts are grey Tuffcoat
- All back walls are 5' - 0" tall



PERSPECTIVE VIEW

Client: Show Organizer
Show: AGCBIM 2018
Facility: Cosmopolitan, Las Vegas, NV
File:

Design No: PACKAGE A
Description: 10' x 20'
Booth No:

Project No:
Requestor: Robinson, T
Concept: -
Design Rev:-

Date: 01-31-2018
Designer: Tarantino, D.
Detailer: N/A
Page No: **1 of 2**

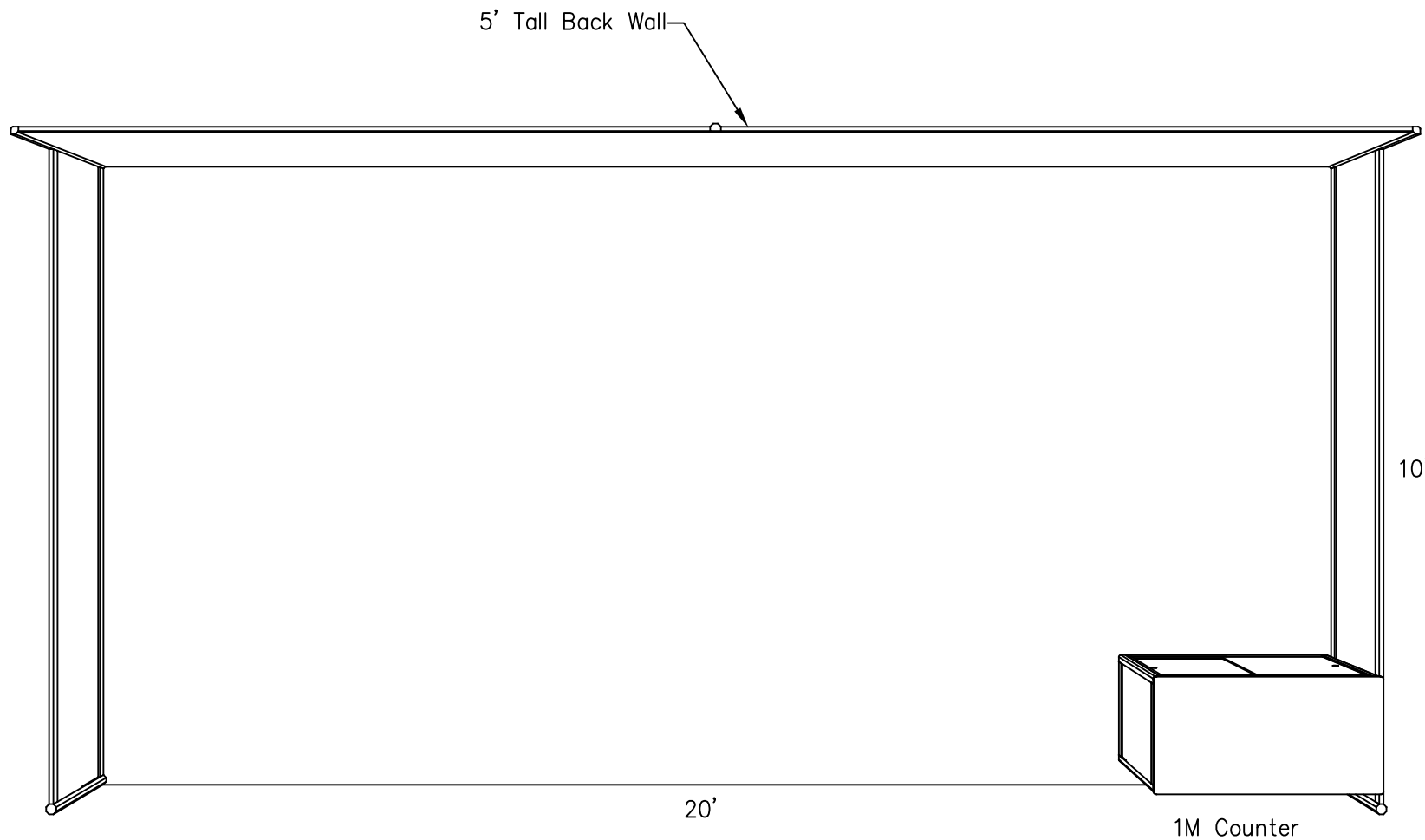
Copyright © 2009 by GES Exposition Services. All rights Reserved. No Part of this document may be reproduced, stored in any retrieval system, or transmitted in any form or by any means - electronic, mechanical, photocopying, recording or otherwise - without the express written consent of GES Exposition Services



Package: 10' x 20'

GEM structure with Inserts and Overlays

- All metal is silver GEM
- All inserts are grey Tuffcoat
- All back walls are 5' - 0" tall



PLAN VIEW

Client: Show Organizer
Show: AGCBIM 2018
Facility: Cosmopolitan, Las Vegas, NV
File:

Design No: PACKAGE A
Description: 10' x 20'
Booth No:

Project No:
Requestor: Robinson, T
Concept: -
Design Rev:-

Date: 01-31-2018
Designer: Tarantino, D.
Detailer: N/A
Page No: **2 of 2**

Copyright © 2009 by GES Exposition Services. All rights Reserved. No Part of this document may be reproduced, stored in any retrieval system, or transmitted in any form or by any means - electronic, mechanical, photocopying, recording or otherwise - without the express written consent of GES Exposition Services

