

Show Ready

Space only and furniture packages



THE MONEY20/20 COMMITMENT

/ Environmental challenges are at the forefront of worldwide concern and there is an opportunity for real change within the exhibition industry.

Money20/20 is committed to sustainability through inspiring sustainable development and running environmentally and socially responsible events.

/ Benefits of a reusable stand

- Safer on-site efficient working environment
- Clean, efficient build and dismantling
- Eliminates cutting, sanding, plastering and painting
- Reduced materials and vehicle congestion
- Clearer aisles

/ Reducing the carbon footprint and environmental impact of the event

- Consolidating exhibitor shipments of pre-fabricated materials to the show
- Reduction of waste from stand construction

/ Enhancing customer experience

- Offers a higher-level of visually appealing stands
- Less pressure on build times and need for early access or late working costs
- Promoting the brand in a positive light by highlighting sustainable qualities
- Cost of stands designed for multiple use is generally lower



**ASK OUR
SHOW READY
EXPERT**

Whether you're deciding what package to buy, or just curious about GES' Show Ready product, James is here to answer all your exhibiting questions.

JUST ADD PEOPLE

/ Whether you're making the move from shell scheme to space only, or you're an experienced exhibitor looking for a cost-effective option, we can help you create a Show Ready stand that will get your brand noticed by every passing visitor.

Our graphics-based fabric stands can be tailored to your image and your message. Our system has the in-built capability to scale with the size of your space. This is the perfect option for smaller space only exhibitors.

In addition to our Show Ready packages, we also allow for customisable add-on features such as furniture, lighting, digital screens, product displays, and more.



**COST
EFFECTIVE**



**ZERO
FUSS**



**RANGE OF
OPTIONS**

CHOOSE A PACKAGE

/ Versatile exhibition stands with maximum impact and none of the fuss.

Building your Show Ready stand really is as simple as 1,2,3.

1

CHOOSE A PACKAGE

2

ENHANCE YOUR STAND

3

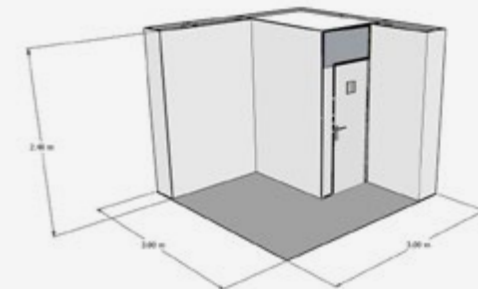
SEND ARTWORK

PACKAGE A 18m² and 9m² options

18m² option



9m² option



MONEY20/20 PACKAGES INCLUDE:



PROJECT MANAGEMENT
AND VENUE LIAISON



INTERNATIONAL
TRANSPORTATION



INSTALLATION
AND DISMANTLING



FULL-COLOUR
TENSIONED GRAPHICS



VELOUR CARPET
(COLOUR CHOICE)



LED ARM
LIGHTING



CUSTOMER SERVICE
SUPPORT



/ Package A includes the following:

- Full colour tension fabric graphics
- LED arm lights (1x per 1.5m linear metre)
- Store room
- Salsa carpet (choice of colours)
- Project management
- Installation and dismantling
- Transportation

€7,500 excl. VAT
18 SQM FIXED PRICE

€4,800 excl. VAT
9 SQM FIXED PRICE

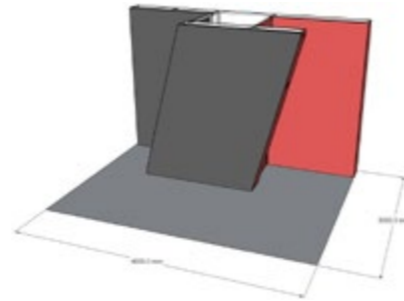
PACKAGE B

18m² option

18m² option



9m² option



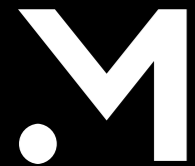
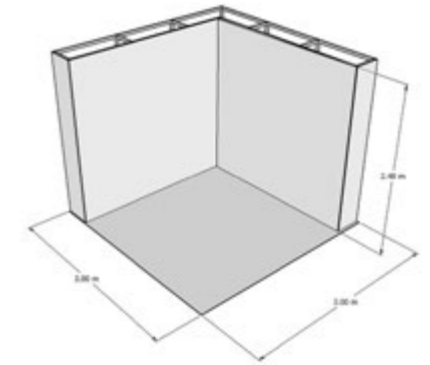
PACKAGE C

18m² and 9m² options

18m² option



9m² option



/ Package B includes the following:

- Full colour tension fabric graphics
- LED arm lights (1x per 1.5m linear metre)
- Salsa carpet (choice of colours)
- Project management
- Installation and dismantling
- Transportation

€7,500 excl. VAT
18 SQM FIXED PRICE



/ Package C includes the following:

- Full colour tension fabric graphics
- LED arm lights (1x per 1.5m linear metre)
- Salsa carpet (choice of colours)
- Project management
- Installation and dismantling
- Transportation

€7,500 excl. VAT
18 SQM FIXED PRICE

€4,800 excl. VAT
9 SQM FIXED PRICE

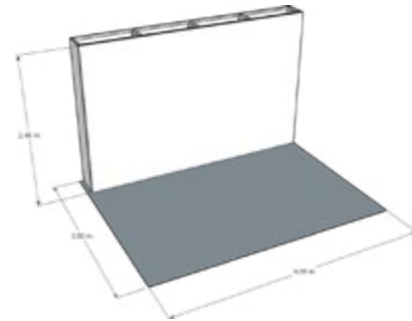
PACKAGE E

18m² and 9m² options

18m² option



9m² option



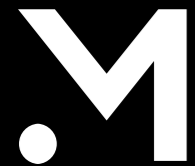
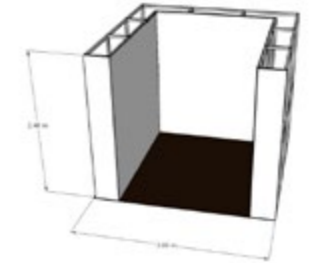
PACKAGE F

9m² option

Illustrative purposes only



9m² option



/ Package E includes the following:

- Full colour tension fabric graphics
- LED arm lights (1x per 1.5m linear metre)
- Salsa carpet (choice of colours)
- Project management
- Installation and dismantling
- Transportation

€7,500 excl. VAT
18 SQM FIXED PRICE

€4,800 excl. VAT
9 SQM FIXED PRICE



/ Package F includes the following:

- Full colour tension fabric graphics
- LED arm lights (1x per 1.5m linear metre)
- Salsa carpet (choice of colours)
- Project management
- Installation and dismantling
- Transportation

€4,800 excl. VAT
9 SQM FIXED PRICE

STAND ENHANCEMENTS

/ Our range of Show Ready stand options aren't just hassle free, they're also incredibly versatile. Many exhibitors decide to apply additional options to tailor the core stand to their particular requirements.



PLATFORMS



FURNITURE



LED SCREENS



SHOWCASES



TABLES



BRANDED FURNITURE

As an exhibitor, this service makes life so much easier. The stand was ready on time, looked great and was a breeze to sort. Your service and this package made my life a lot easier - saving me both time and money.

SIMON BARRY
SHOUT Design

SEND US YOUR ARTWORK

/ The final step is sending us your branded artwork. Our Show Ready spaces are a blank slate to say whatever you like, so don't be shy!

If you need some help, our in-house graphics team can work with you to amend or create your artwork.

Please note: An hourly charge will apply for any design work undertaken. Fixed rate price initially, hourly rate after fixed price agreement ends.





FREQUENTLY ASKED QUESTIONS

/ When do I need to confirm my stand design with GES?

GES requires a signed confirmation 30-days prior to the first day of build-up of the event to proceed with the order.

/ When do I need to submit my print ready artwork to GES?

All artwork files need to be submitted 21 working days prior to the first day of build-up of the event.

/ Can GES assist with designing the artwork for my stand?

Yes, GES has its own in-house design team. GES will require a detailed brief of your requirements including your company brand guidelines. The following service will be provided at an additional charge.

/ Can GES also assist with submission of documents for approvals?

Once the stand design is approved and contract signed, GES will submit all the required documents to the organiser and venue for approval.

/ Will I have a dedicated point of contact throughout the entire process?

Once the project is confirmed, we will allocate a project manager, who will manage the entire process and act as your main point of contact on-site.

/ Does GES offer support during the show?

GES will have a dedicated on-site team, to assist throughout the entire duration of the show.

/ What are the payment methods offered by GES?

Card: Once the invoice is received, you can call or email us to receive a payment link via email to pay online.

Bank transfer: You can use the bank details provided at the bottom of our invoices to proceed with the transfer.

Cheque: All cheques need to be posted to the address on the order form or the invoice - and be received, by us, before build-up begins (applicable for UAE based Cheques).

CONTACT US

Call **+44 (0) 7880 039 801** or **message** me today.
We'll make sure you're **Show Ready**.

Name*

Company name*

Phone number

Email address*

Message

Optional: By clicking this newsletter sign-up box, you agree to GES' Terms and you have read our Data Policy.